

COMPAC FLASH CARD SOCKET



5500 SERIES. CF card socket.

General Features

- Accept CF card
- Contact area: different gold plating over 50 U nickel
- Solder area: tin plating over 50 U nickel
- With card detect
- Stand off: 0 mm

Materials

- Insulator: LCP with glass filled UL 94 V-0
- Contact: Brass
- Operating temperature: -25°C to +85°C
- RoHS compliant

Dimensional Information

PIN TYPE	PIN LENGTH	PIN NUMBER
Detect	3.50 mm. (0.138")	25, 26
General	4.25 mm. (0.167")	The others
Power	5.00 mm. (0.197")	01, 13, 38, 50

Electrical Features

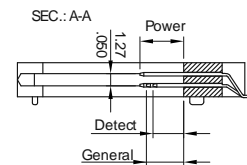
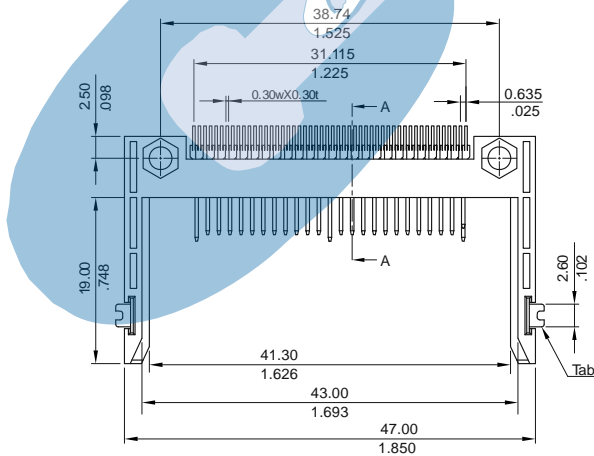
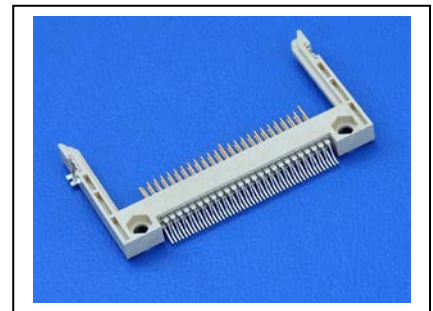
- Voltage rating: < 100 V
- Current rating: < 0.50 A
- Contact resistance: < 30 mΩ
- Dielectric withstanding voltage: 500 V AC/minute
- Insulation resistance: >1000 MΩ

Mechanical Features

- Total mating force: 2.94 Kgf
- Total withdrawal force: 0.50 Kgf
- Durability: 10.000 cycles

Part Number:

5500 - 14 50 0



Pin Length

