

HANDLE MINI JUMPER (SHUNTS)



5462 SERIES. 2.54 mm (0.100") pitch.

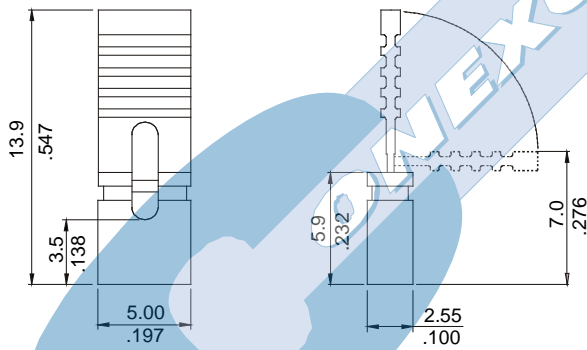
General Features

- Available in 2 circuits
- Mates with pin header 2.54 mm pitch single, dual and triple row. Accept 0.64 mm. square pin
- Dual beam contact with different plating
- Stackable row by row and end to end
- Easy handle assembled. 13.90 mm high

Materials

- Insulator: PBT UL 94 V-0
- Contact: Phosphor bronze
- Operating temperature: -40°C to +105°C
- RoHS compliant

Dimension Information

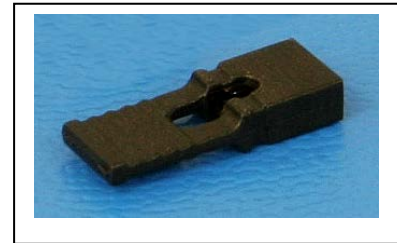


Electrical Features

- Voltage rating: < 250V
- Current rating: < 3 A
- Contact resistance: < 20 mΩ
- Dielectric withstanding voltage: 600 V AC/minute
- Insulation resistance: >1000 MΩ

Mechanical features

- Insertion force receptacle/plug: < 0,70 Kgf/pin
- Unmating force receptacle/plug: > 0,10 Kgf/pin
- Contact retention force to housing: > 0,60 Kgf/pin
- Durability: 50 cycles



Ordering Information:

5462 - T- 020

1 2

1. Connector Series

2. (T) Contact Plating

- T = 3. Gold flash over nickel
Recommended Finish
- T = 5. 15μ" gold over nickel
- T = 6. 30μ" gold over nickel