

# F/ CABLE IDC SHROUDED PLUG LATCH EJECT



## 5438 SERIES. 2.54 x 2.54 mm. (0.100 x 0.100") pitch.

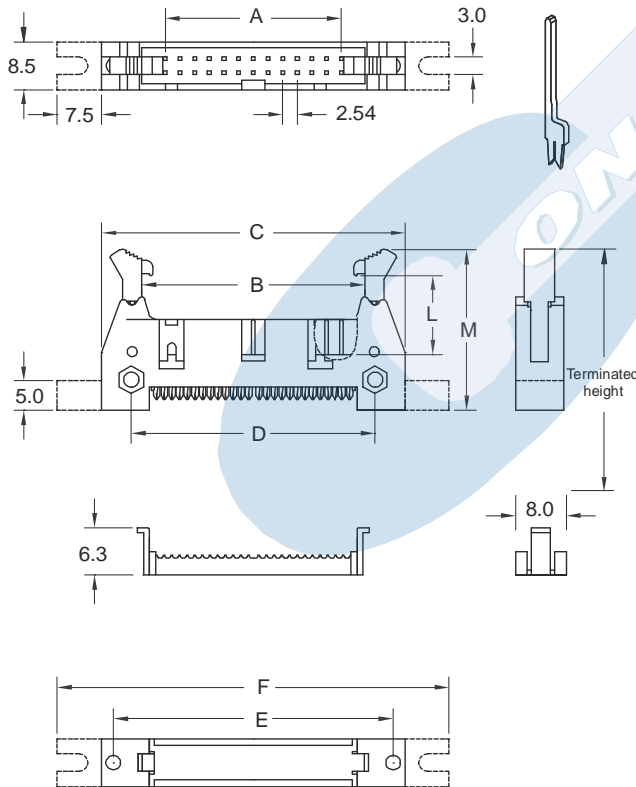
### General Features

- Available in 10, 14, 16, 20, 24, 26, 30, 34, 40, 50, 60 and 64 circuits
- Mates with 2.54 mm. IDC connectors 5435 series
- Gold plated 0.64 mm square pin
- Fully shrouded with polarized slot.
- Long and short latch levers. With/without ears

### Materials

- Insulator: PBT, glass reinforced, rated UL 94V-0
- Terminal: Phosphor bronze
- Operating temperature. -25°C to +85°C
- RoHS compliant

### Dimension Information



Dimensions: (In mm.)

$$A = 2.54 \left( \frac{XX}{2} - 1 \right) \quad B = 2.54 \left( \frac{XX}{2} \right) + 5.24 \quad C = 2.54 \left( \frac{XX}{2} \right) + 19.28$$

$$D = 2.54 \left( \frac{XX}{2} \right) + 9.13 \quad E = 2.54 \left( \frac{XX}{2} \right) + 15.22 \quad F = 2.54 \left( \frac{XX}{2} \right) + 34.48$$

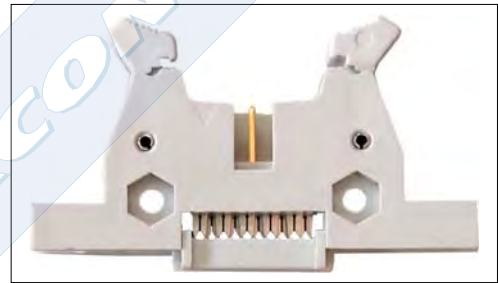
(XX) = Number of circuits

### Electrical Features

- Voltage rating: < 250V
- Current rating: < 1 A
- Contact resistance: < 30 mΩ
- Dielectric withstanding Voltage: 500 V AC/minute
- Insulation resistance: >1000 MΩ

### Mechanical Features

- Durability: 50 Cycles



### Ordering Information:

**5438 - T- XX- S**  
 1            2            3            4

#### 1. Connector Series

#### 2. (T) Contact Plating

- T = 2. Tin plated
- T = 3. Gold flash over nickel  
Recommended Finish
- T = 5. 15μ" gold over nickel
- T = 6. 30μ" gold over nickel

#### 3. (XX) Number of circuits

- Available in 10 through 64 circuits

#### 4. (S) Latch Type

- S = 1. Short latch without ear
- S = 2. Long latch without ear
- S = 3. Long latch with ear
- S = 4. Short latch with ear

DIMENSIONS	L	M
Short latch	10.60	25.60
Long latch	14.60	29.20