

# D/ ROW TOP ENTRY MALE SMT CONNECTOR



## 5428 SERIES. 2.54 x 2.54 mm. (0.100 x 0.100") pitch.

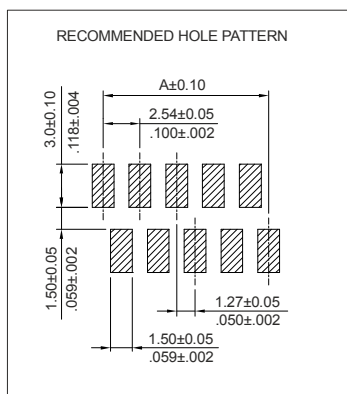
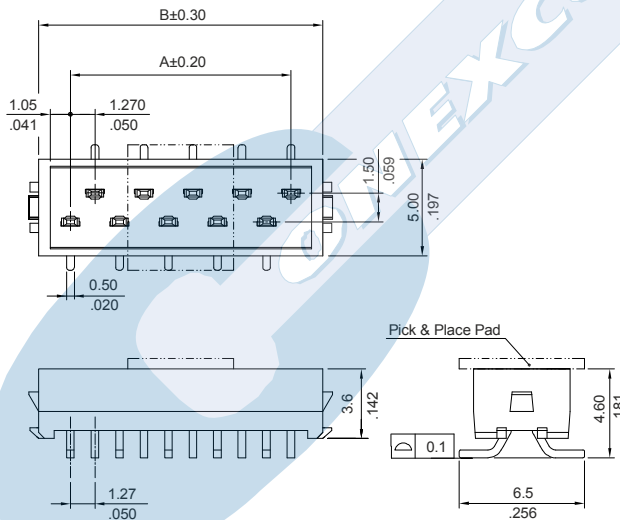
### General Features

- Available in 4 through 26 circuits
- Mates with 2.54 mm. PCB connectors 5431, 5432 and 5434 series
- Allows connections PCB to PCB

### Materials

- Insulator: glass filled polyester UL 94V-0
- Terminal: Phosphor bronze
- Operating temperature. -25°C to +85°C
- RoHS compliant

### Dimension Information

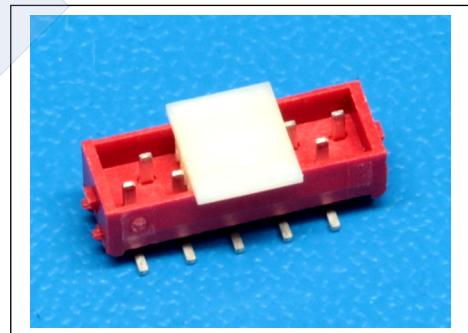


### Electrical Features

- Voltage rating: < 230V
- Current rating: < 1.50 A
- Contact resistance: < 10 mΩ
- Dielectric withstanding Voltage: 500 V AC/minute
- Insulation resistance: >1000 MΩ

### Mechanical Features

- Pin retention force to insulator: > 0.50 Kgf
- Mating force: < 0.50 Kgf per contact
- Un-mating force: > 0.10 Kgf per contact
- Durability: 25 Cycles



### Ordering Information:

**5428 - T- XX- 1- E**  
 1            2            3            4            5

#### 1. Connector Series

#### 2. (T) Contact Plating

- T = 2. Tin plated

#### 3. (XX) Number of circuits

- Available in 4 through 26 circuits

#### 5. (E) Packing Options

- E = 1. Tube + Pad
- E = 2. Reel + Pad

### Dimensions:

A = 1.27 x (XX-1)

B = 1.27 x (XX)+2.03

(XX) = Number of circuits