

MICRO USB B SOCKET WIRE TYPE



5372 SERIES. Micro USB Socket B Type. For Wire Solder.

General Features

- Standard Micro Usb connector 5 pins B type
- Contact area: selective gold plating over nickel
- Solder area: tin plating over nickel

Materials

- Insulator: Thermoplastic high temperature UL 94 V-0
- Contact: Brass
- Shell: Brass
- Operating temperature. -30°C to +80°C
- RoHS compliant

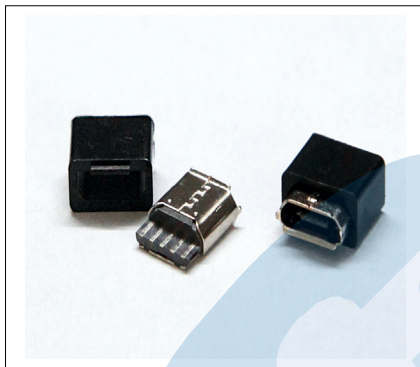
Dimension Information

Electrical Features

- Voltage rating: < 100 V
- Current rating signal: < 1 Amp
- Contact resistance: < 50 mΩ
- Dielectric withstanding Voltage: 100 V AC/minute
- Insulation resistance: >100 MΩ

Mechanical Features

- Mating force: < 3.57 Kgf
- Unmating force: > 1.00 Kgf
- Durability: 1.000 cycles



5372 - T- 05- 1
 1 2 3

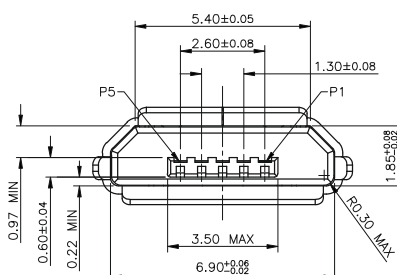
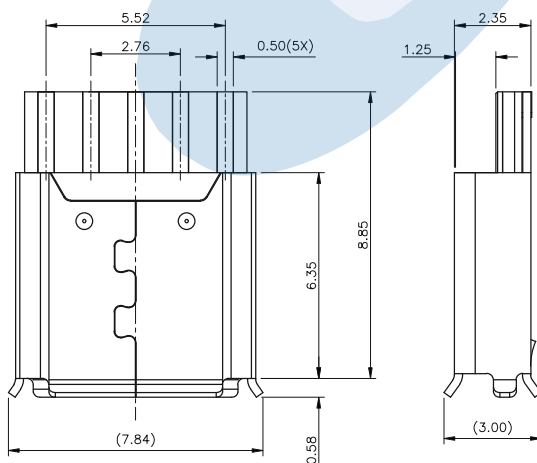
1. Series

2. Plating Options

- T = 13. Sel. gold flash over Ni overall
 Recommended Finish

3. Number of circuits

- Available in 5 circuits



Pin Number	Signal Name
1	VBUS
2	D-
3	D+
4	ID
5	GND

