

MICRO USB SOCKET VERTICAL CONNECTOR



5370 SERIES. Micro USB A/B type. Waterproof Socket IP67.

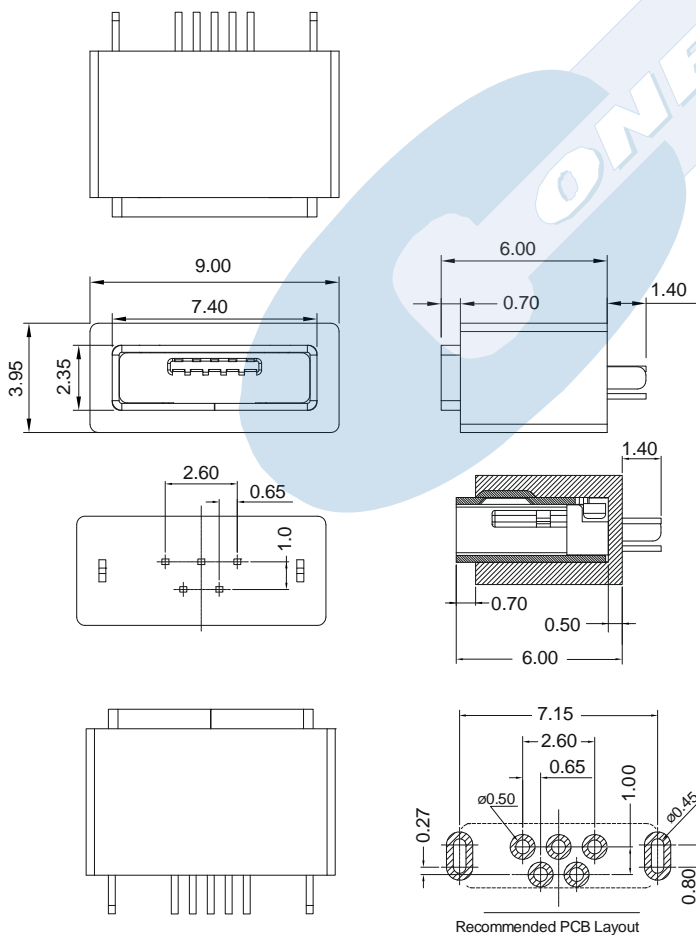
General Features

- Standard Micro Usb connector 5 pins A/B type
- Contact area: gold plating over nickel
- Solder area: gold plating over nickel
- IP 67

Materials

- Insulator: Thermoplastic high temperature UL 94 V-0
- Contact: Brass
- Shell: Brass
- Operating temperature. -30°C to +80°C
- RoHS compliant

Dimensions

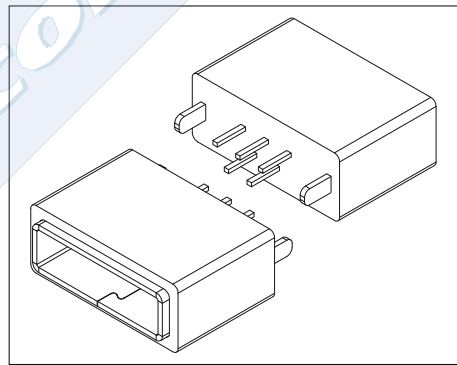


Electrical Features

- Voltage rating: < 100 V
- Current rating signal: < 1 Amp
- Contact resistance: < 50 mΩ
- Dielectric withstanding Voltage: 100 V AC/minute
- Insulation resistance: >100 MΩ

Mechanical Features

- Mating force: < 3.57 Kgf
- Unmating force: > 1.00 Kgf
- Durability: 1.000 Cycles



5370 - T- 05- 1- E

1 2 3 4

1. Series

2. Plating Options

- T = 13. Sel. gold flash over Ni overall
Recommended Finish

3. Number of circuits

- Available in 5 circuits

4. Packing Options

- E = 2. Reel