

# DUAL ROW SIDE ENTRY HEADER



## 5342 SERIES. 2.54 x 2.54 mm. (0.100 x 0.100") pitch. With eject latch levers.

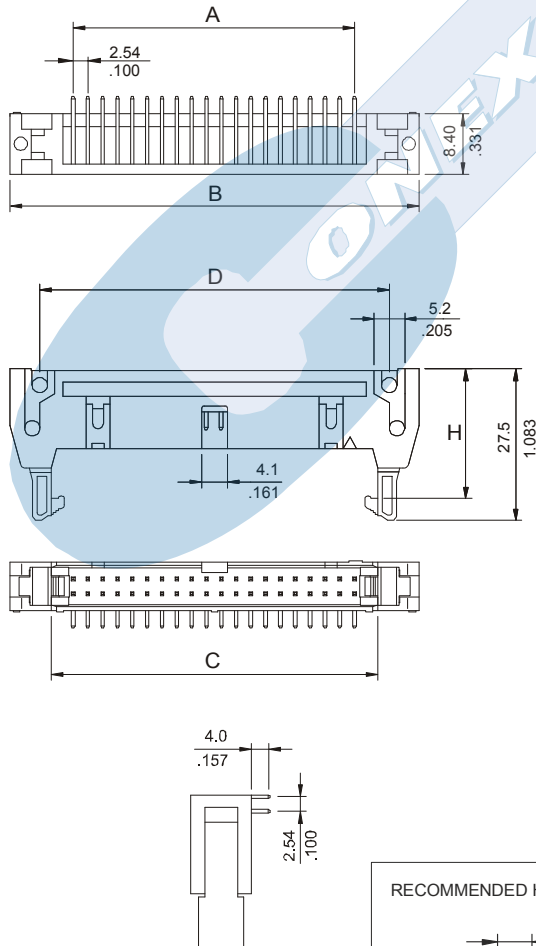
### General Features

- Available in 10, 14, 16, 20, 24, 26, 30, 34, 40, 50, 60, and 64 circuits
- Mates with IDC connectors 5435 and crimp housing 2646 series
- Gold plated 0.64 mm square pin
- Fully shrouded with polarized slot
- Available long and short latch levers

### Materials

- Insulator: PBT UL 94V-0
- Terminal: Brass
- Operating temperature. -25°C to +85°C
- RoHS compliant

### Dimension Information

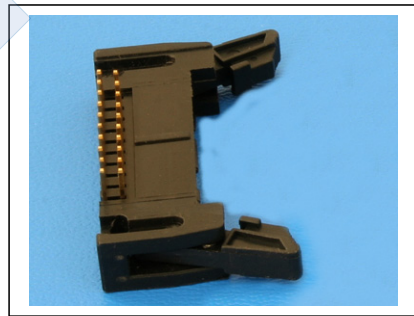


### Electrical Features

- Voltage rating: < 250V
- Current rating: < 2 A
- Contact resistance: < 20 mΩ
- Dielectric withstanding Voltage: 500 V AC/minute
- Insulation resistance: > 1000 MΩ

### Mechanical Features

- Pin retention force to insulator: > 1.20 Kgf
- Durability: 50 Cycles



### Ordering Information:

**5342 - T- XX- S**  
 1 2 3 4

#### 1. Connector Series

#### 2. (T) Contact Plating

- T = 2. Tin plated
- T = 3. Gold flash over nickel  
Recommended Finish
- T = 5. 15μ" gold over nickel
- T = 6. 30μ" gold over nickel

#### 3. (XX) Number of circuits

- Available in 10 through 64 circuits

#### 4. (S) Latch Type

- S = 1. Short latch (H = 18.40 mm.)
- S = 2. Long latch (H = 22.00 mm.)

#### Dimensions: (In mm.)

$$A = 2.54 \left( \frac{XX}{2} - 1 \right) \quad B = 2.54 \left( \frac{XX}{2} \right) + 19.17$$

$$C = 2.54 \left( \frac{XX}{2} \right) + 5.20 \quad D = 2.54 \left( \frac{XX}{2} \right) + 9.00$$

(XX) = Number of circuits