

SINGLE ROW TOP ENTRY PIN HEADER



5082 SERIES. 5.08 mm (0.200") pitch.

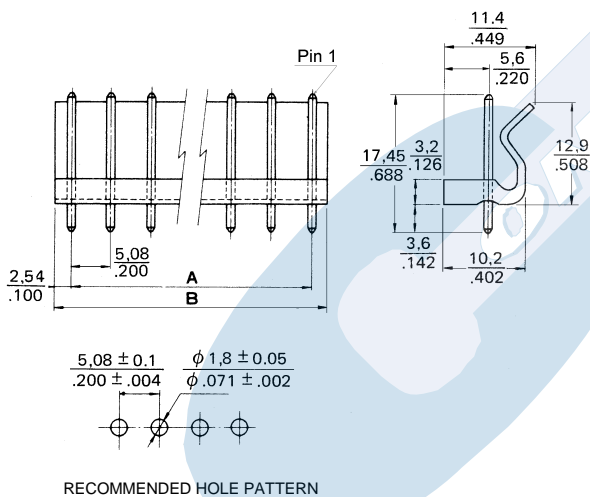
General Features

- Available in 2 through 12 circuits
- Mates with PCB sockets 1507, 1508, and wire housing 5080, 5081 series
- 1.14 mm. square pin
- Polarized with friction lock
- Pin omit options are available in any circuits

Materials

- Insulator: Nylon 66 UL 94 V-2
- Contact: brass
- Operating temperature: -40°C to +105°C
- RoHS compliant

Dimensional Information

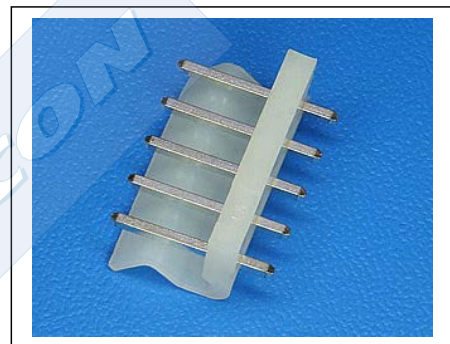


Electrical Features

- Voltage rating: < 250V
- Current rating: < 5 A
- Contact resistance: < 20 mΩ
- Dielectric withstanding voltage: 1500 V AC/minute
- Insulation resistance: >1000 MΩ

Mechanical Features

- Pin retention force to insulator: > 2.00 Kgf
- Durability: 25 cycles



Ordering Information:

5082 - T- XX- C
 1 2 3 4

1. Connector Series

2. (T) Contact Plating

- T = 2. Tin plated
Recommended Finish

3. (XX) Number of circuits

- Available in 2 through 12 circuits

5. (C) Pin Dimensions

- C = 1. Standard version (all circuits)
- C = 2. Without pin 2
- C = 3. Without pin 3
- Other omit circuits change C for the Omit pin. (Consult Sales Office)

Dimensions: (In mm.)

A = 5.08 x (XX*-1)

B = 5.08 x (XX*)

* XX (Number of circuits)