

# CRIMP TERMINAL



## 3953 / 3954 SERIES. 3.96 (0.156")/ 5.00 (0.197) mm. Pitch.

### General Features

- Accommodates wire range AWG 18 through 26
- Use in housing 3.96 mm pitch 3950 series and housing 5.00 mm. 5050 series.
- Flex contact with tin plated locking lance
- Maximum insulation diameter 3.00 mm (0.118")

### Materials

- Contact: Phosphor bronze tin pre-plated
- Operating temperature -40°C to +105°C

### Electrical Features

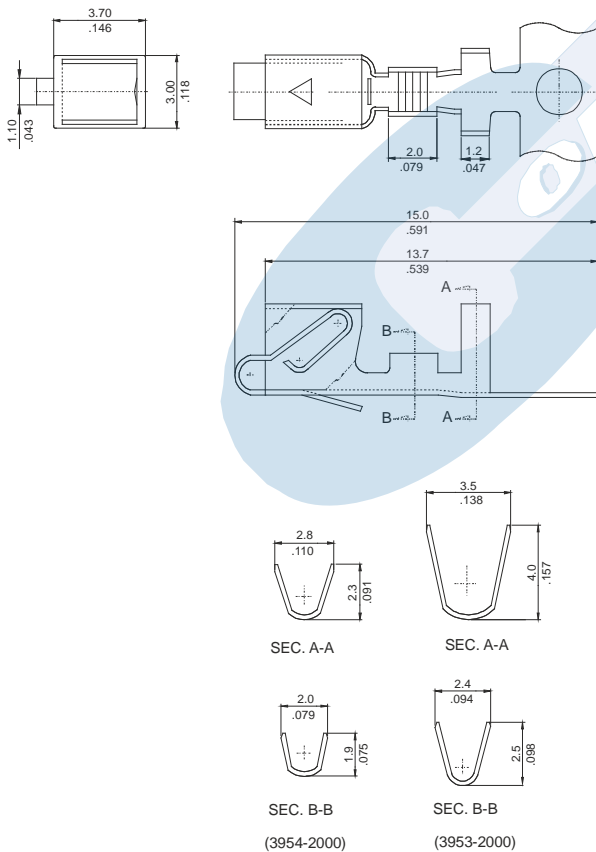
- Current rating: < 5 A
- Contact resistance: < 20 mΩ

### Mechanical Features

- Durability: 25 cycles
- Wire pull-out force:
 

8.00 Kgf 18 AWG	3.50 Kgf 24 AWG
5.50 Kgf 20 AWG	2.00 Kgf 26 AWG
3.50 Kgf 22 AWG	

### Dimensional Information



**3953 / 3954 - T- 00- E**

1

2

#### 1. Terminal Series

- 3953 for 18 to 24 AWG
- 3954 for 22 to 26 AWG

#### 2. (T) Contact Plating

- T = 2. Tin plated

#### 2. (E) Packing Options

- E = 0. Chain
- E = 1. Loose Piece