

# CRIMP TERMINAL



## 3933 / 3934 SERIES. 3.96 (0.156") / 5.08 (0.200")mm. Pitch.

### General Features

- Accommodates wire range AWG 18 through 28
- Use in housing 3.96 mm pitch 3930 series and 5.08 mm. 5081 series
- Box contact with four high pressure point contacts
- Maximum insulation diameter 3.20 mm (0.110")

### Materials

- Contact: Phosphor bronze tin pre-plated
- Operating temperature -40°C to +105°C

### Electrical Features

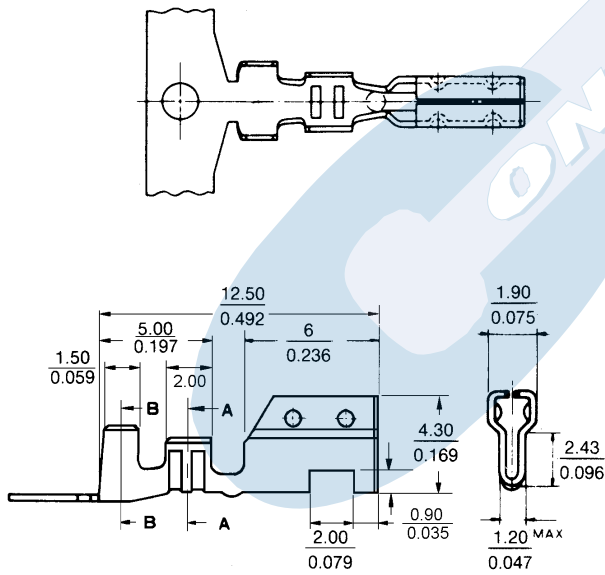
- Current rating: < 5 A
- Contact resistance: < 20 mΩ

### Mechanical Features

- Durability: 25 cycles
- Wire pull-out force:
 

10.00 Kgf 18 AWG	4.50 Kgf 24 AWG
8.00 Kgf 20 AWG	2.70 Kgf 26 AWG
6.30 Kgf 22 AWG	1.80 Kgf 28 AWG

### Dimensional Information



**3933 / 3934 - T- 00- E**

1

2

#### 1. Terminal Series

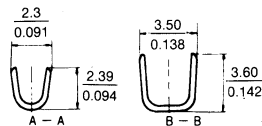
- 3933 for 18 to 24 AWG
- 3934 for 22 to 28 AWG

#### 2. (T) Contact Plating

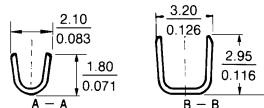
- T = 2. Tin plated

#### 2. (E) Packing Options

- E = 0. Chain
- E = 1. Loose Piece



**3933**



**3934**