

# TRIPLE ROW RIGHT ANGLE PIN HEADER



## 3559 SERIES. 2.54 mm (0.100") pitch.

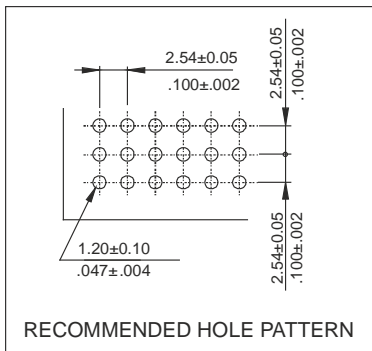
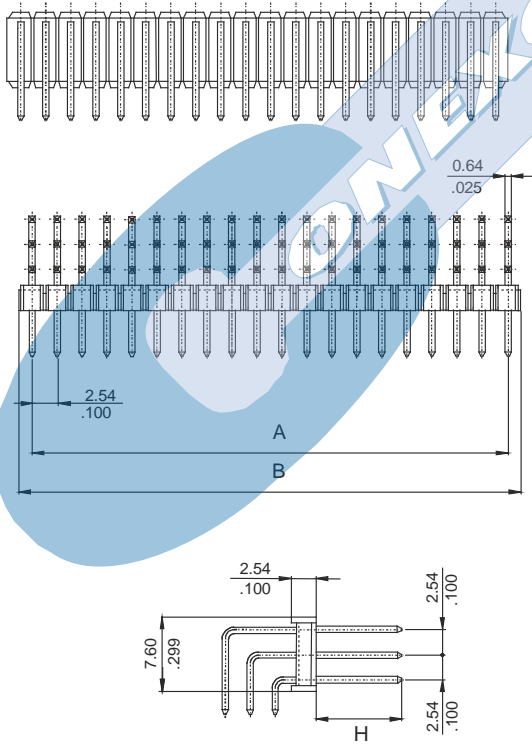
### General Features

- Available in 6 through 120 circuits
- Mates with sockets 2.54 mm pitch 3453 series
- 0,64 mm. square pin with different plating
- Different pin length available Consult Sales Office

### Materials

- Insulator: PBT UL 94 V-0
- Contact: brass
- Operating temperature: -40°C to +105°C
- RoHS compliant

### Dimensional Information

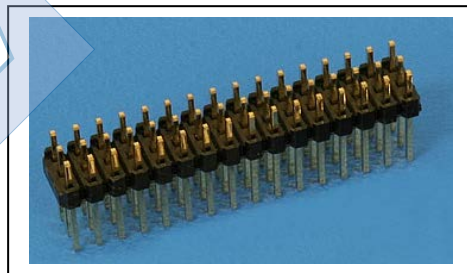


### Electrical Features

- Voltage rating: < 250V
- Current rating: < 3 A
- Contact resistance: < 20 mΩ
- Dielectric withstanding voltage: 600 V AC/minute
- Insulation resistance: >1000 MΩ
- Capacitance: < 2 pF at 1 KHz

### Mechanical Features

- Pin retention force to insulator: > 0,50 Kgf
- Durability: 50 cycles



### Ordering Information:

**3558 - T- XX- C**  
 1            2            3            4

#### 1. Connector Series

#### 2. (T) Contact Plating

- T = 2. Tin plated
- T = 3. Gold flash over nickel  
Recommended Finish
- T = 5. 15μ" gold over nickel
- T = 6. 30μ" gold over nickel
- T = 13. Sel. gold flash over nickel overall
- T = 15. 15μ" sel. gold over nickel overall
- T = 16. 30μ" sel. gold over nickel overall

#### 3. (XX) Number of circuits

- Available in 6 through 120 circuits

#### 5. (C) Pin Dimensions

- C = 1. Dimensión H = 6.26 mm.
- C = 3. Dimensión H = 3.00 mm.

### DIMENSIONS

$$A = 2.54 \left( \frac{XX}{3} - 1 \right) \quad B = 2.54 \left( \frac{XX}{3} \right)$$

(XX) = Number of circuits