

DUAL ROW VERTICAL SOCKET



3453 SERIES. 2.54 mm (0.100") pitch.

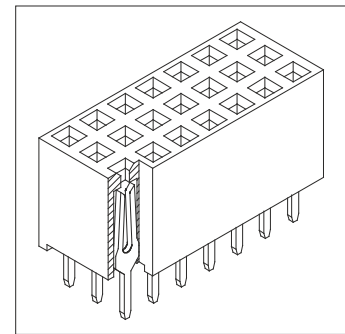
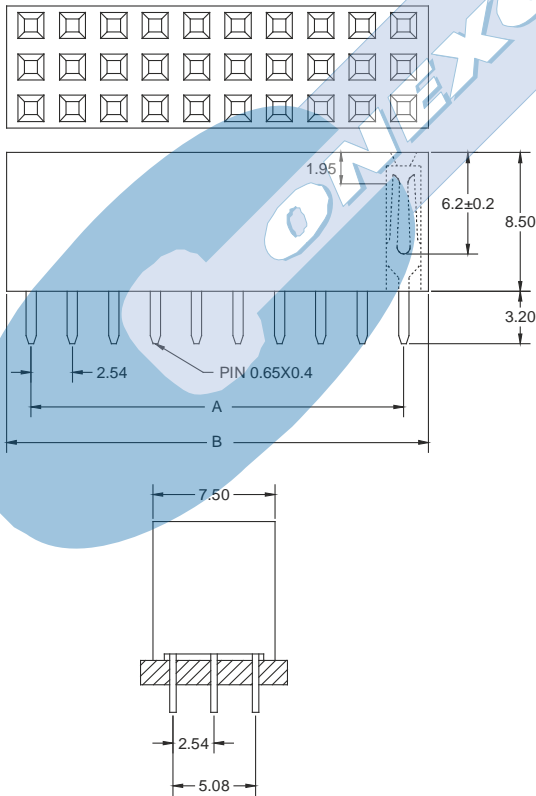
General Features

- Available in 6 through 120 circuits
- Mates with pin header 2.54 mm pitch 3558 and 3559
- Accept 0.64 square pin
- 8.50 mm. high
- U contact with different plating

Materials

- Insulator: PBT UL 94 V-0
- Contact: Phosphor bronze
- Operating temperature: -40°C to +105°C
- RoHS compliant

Dimension Information



Ordering Information:

3453 - T- XXX

1 2 3

1. Connector Series

2. (T) Contact Plating

- T = 2. Tin plated
- T = 3. Gold flash over nickel
Recommended Finish
- T = 5. 15μ" gold over nickel
- T = 6. 30μ" gold over nickel
- T = 13. Sel. gold flash over nickel overall
- T = 15. 15μ" sel. gold over nickel overall
- T = 16. 30μ" sel. gold over nickel overall

3. (XX) Number of circuits

- Available in 6 through 120 circuits

DIMENSIONS

$$A = 2.54 \left(\frac{XX}{3} - 1 \right) \quad B = 2.54 \left(\frac{XX}{3} \right) + 0.50$$

(XX) = Number of circuits

