

METALLIC COVER JACK FCC-68 IP67



3186 SERIES. Metallic Cover Jack IP 67.

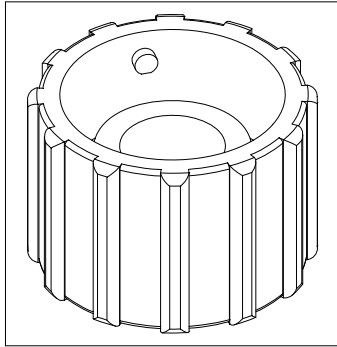
General Features

- Use with keystone jacks 3180 series
- RoHS compliant

Materials

- Zinc alloy 3 nickel plated

Dimension Information



Ordering Information:

3186 - 0000

