

PLASTIC COVER FCC-68 IP67



3176 SERIES. Plastic Cover IP 67.

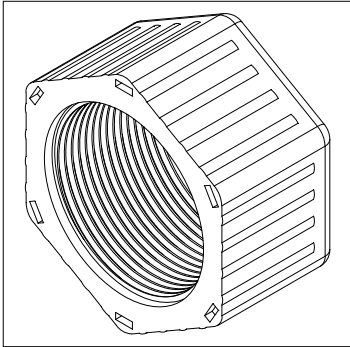
General Features

- Use with keystone jacks 3170, 3171 and 3172 series
- RoHS compliant

Materials

- Thermoplastic UL 94 V-0

Dimension Information



Ordering Information:

3176 - 0000

