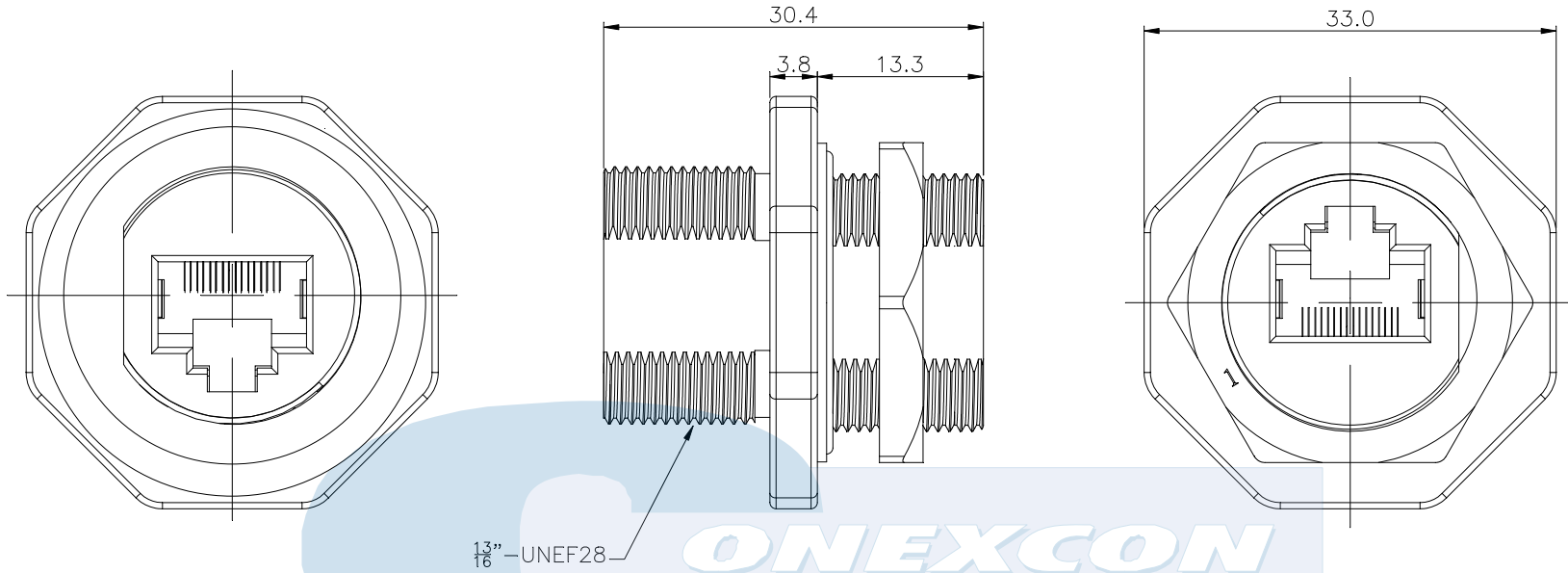


RoHS COMPLIANT



ONEXCON

3173 SERIES

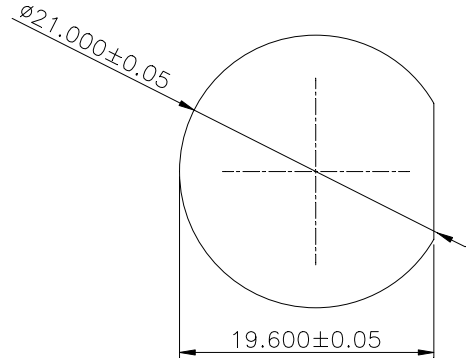
Electrical Specifications:

- Meets EIA/TIA-568-B.2 Cat.5e Specification
- Contact Resistance: 20 mOhm max
- Insulation Resistance: 500 MOhm min @100V DC
- Current Rating: 1.5A max
- Voltage Rating: 100VDC
- DWV: 1000V DC/60s min Contact to Contact, 1500V DC/60s Contact to Metal Shell
- Operating Temperature: -40°C TO +85°C


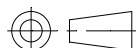
Waterproof: IP68, mated

MATERIALS:

- PLASTIC HOUSING: ENGINEERING THERMOPLASTIC
FLAMMBILITY RATING UL 94V-0.
- CONTACTS: PHOSPHOR BRONZE
- PLATING: GOLD PLATING OVER NICKEL IN CONTACT.
- GROUND PADER: BRASS PLATING NICKEL ALLOY.
- Nut:ENGINEERING THERMOPLASTIC FLAMMBILITY RATING UL 94V-0.
- Gasket: Silicon



Panel Cut-Out
Panel Thick:1.5~2.0mm

設計 DR. Leon 2014/03/27	核准 APPD. Marco 2014/03/27	容許公差 .XXX ±0.10 .XX ±0.25 .X ±0.38 X ±0.50 ANG ±3°	TOLERANCE			
REVISION NOTE						
Part Number: 3173 - 5881			單位 UNIT mm	比例 SCALE 2.5/1	張數 SHEET 1/1	版本 REV. D