

# KEYSTONE JACK TO PLUG FCC-68 IP67



## 3172 SERIES. Keystone Jack to Plug.

### General Features

- Available in 8/8 circuits
- Accept standard plugs FCC-68
- 50 U Selective gold plating in contact area
- Maximum Panel thickness: 3.20 mm.
- Different length of cable as customer's specifications

### Materials

- Insulator: Thermoplastic UL 94V-0
- Contact: 0.40 mm. thickness phosphor bronze
- Panel Gasket: EPDM
- Operating temperature. -25°C to + 85°C
- RoHS compliant

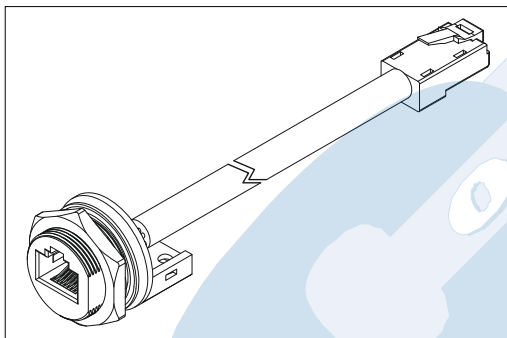
### Dimension Information

### Electrical Features

- Voltage rating: < 100V
- Current rating: < 1.50 A
- Contact resistance: < 20 mΩ
- Dielectric withstanding Voltage: 1000 V AC/minute
- Insulation resistance: >500 MΩ
- Meets EIA/TIA-568-B.2Cat.5e Specification

### Mechanical Features

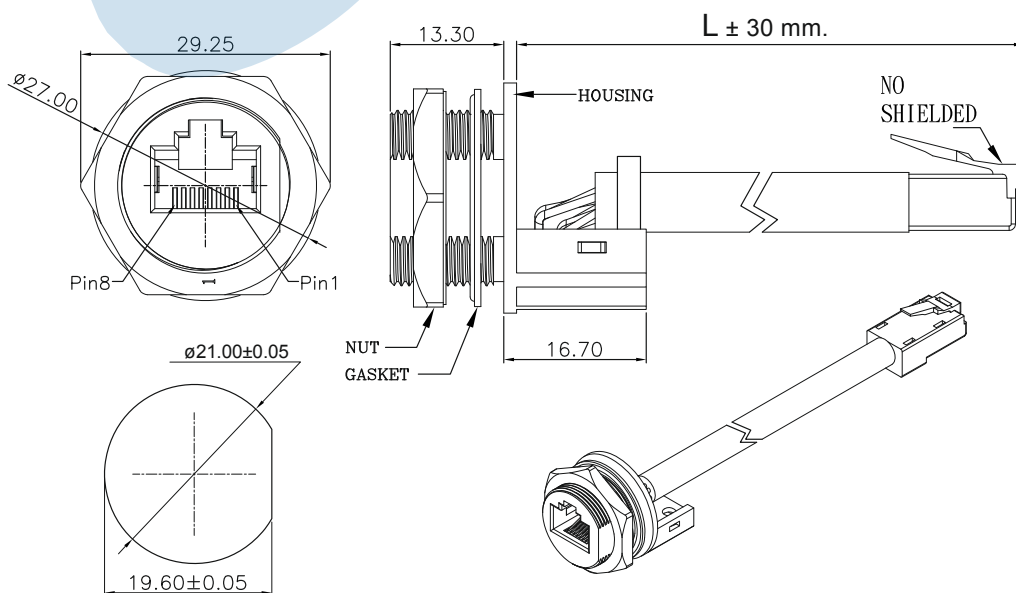
- Durability: 1000 Cycles



### Ordering Information:

**3172 - L- XXX\***

XXX\* = Length L in mm.



Panel Cut-Out  
Panel Thick: 1.5~2.0mm