

KEYSTONE JACK FCC-68 IP67



3171 SERIES. Keystone Jack.

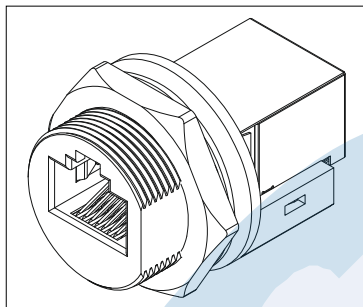
General Features

- Available in 8/8 circuits
- Accept standard plugs FCC-68
- 50 U Selective gold plating in contact area
- Maximum Panel thickness: 3.20 mm.

Materials

- Insulator: Thermoplastic UL 94V-0
- Contact: 0.40 mm. thickness phosphor bronze
- Panel Gasket: EPDM
- Operating temperature. -25°C to + 85°C
- RoHS compliant

Dimension Information



Electrical Features

- Voltage rating: < 100V
- Current rating: < 1.50 A
- Contact resistance: < 20 mΩ
- Dielectric withstanding Voltage: 1000 V AC/minute
- Insulation resistance: >500 MΩ
- Meets EIA/TIA-568-B.2Cat.5e Specification

Mechanical Features

- Durability: 1500 Cycles

Ordering Information:

3171 - T - 88 - 1

T = Plating Options

- T = 6. 30μ" gold over nickel

