

KEYSTONE JACK CAT. 5e FCC-68



3170 SERIES. Keystone Jack Cat. 5e.

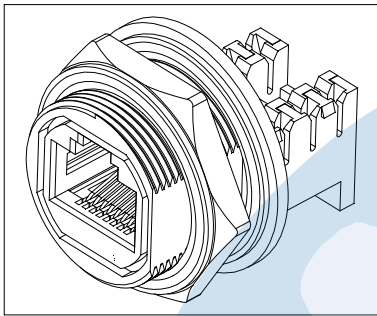
General Features

- Available in 8/8 circuits
- IEEE 802.3ab Gigabit Ethernet verified
- IDT termination for solid wire 22 to 26 AWG
- Accept standard plugs FCC-68. Panel mounting
- 50 U Selective gold plating in contact area
- JACK and PLUG are IP67 waterproof connector

Materials

- Insulator: Thermoplastic UL 94V-0
- Contact: 0.40 mm. thickness phosphor bronze
- Receptacle housing: Thermoplastic UL 94V-0
- Panel nut: Thermoplastic UL94V-0. Panel Gasket: Silicone
- Operating temperature. -25°C to + 85°C
- RoHS compliant

Dimension Information



Electrical Features

- Voltage rating: < 125V
- Current rating: < 1.50 A
- Contact resistance: < 20 mΩ
- Dielectric withstanding Voltage: 300 V AC/minute
- Insulation resistance: >1000 MΩ

Mechanical Features

- Durability: 1500 Cycles

Ordering Information:

3170 - T- 88- 1

T = Plating Options

- T = 6. 30μ" gold over nickel

