

SINGLE ROW CRIMP MALE HOUSING



2679 SERIES. 2.54 mm (0.100") pitch.

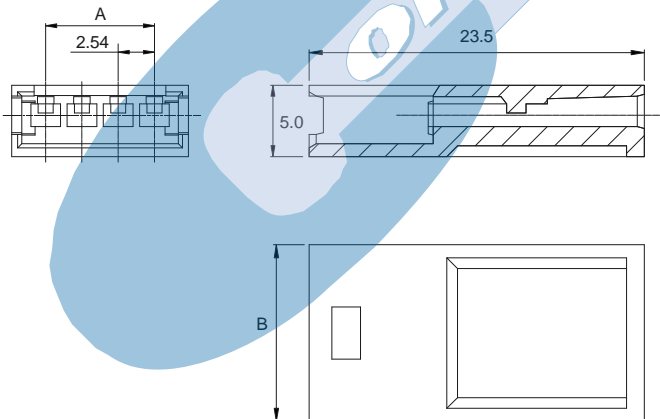
General Features

- Available in 2 through 15 and 22 circuits
- Mates with 2,54 mm pitch crimp housing 2680
- Fully shrouded with friction lock
- Use crimp terminal 2684
- Allow wire to wire connections

Materials

- Insulator: PPO UL 94 V-0
- Operating temperature: -40°C to +85°C
- RoHS compliant

Dimension Information

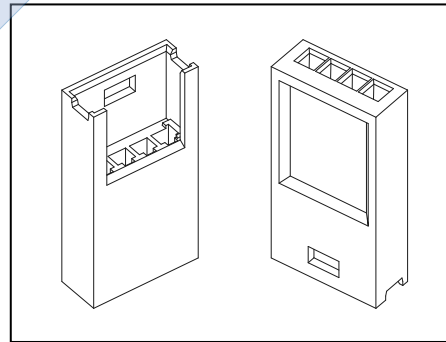


Electrical Features

- Voltage rating: < 250V
- Current rating: < 3 A
- Contact resistance: < 10 mΩ
- Dielectric withstanding voltage: 1000 V AC/minute
- Insulation resistance: >1000 MΩ

Mechanical Features

- Contact insertion force: < 0.40 Kgf
- Contact retention force to the housing: > 1.00 Kgf
- Contact withdrawal force: > 0.10 Kgf
- Durability: 25 cycles



Ordering Information:

2679 - **2**- **XX**- **1**
1 2 3

1. Connector Series

3. (XX) Number of circuits

- Available in 2 through 22 circuits

Dimensions: (In mm.)

A = 2.54 x (XX* - 1)

B = 2.54 x (XX) + 2.04

* XX (Number of circuits)