

ADAPTOR MALE TO MALE HEADER



2623 SERIES. 2.50 mm. (0.098") Pitch.

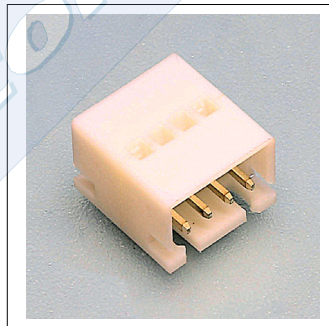
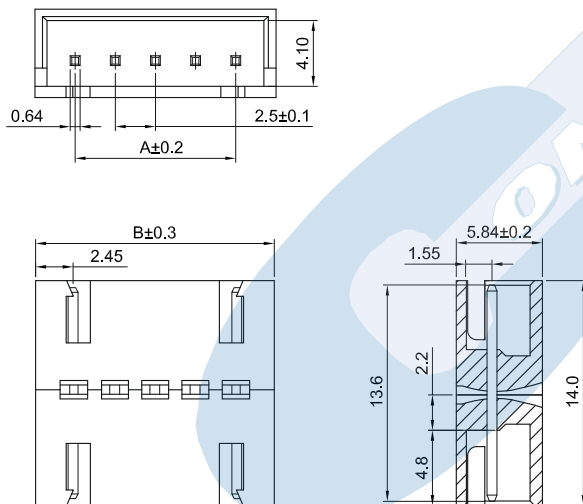
General Features

- Available in 2 through 20 circuits
- Mates with 2.50 mm. crimp housing 2520 series
- Tin plated 0.64 mm. square pin
- Fully shrouded with polarized slot

Materials

- Insulator: PA 66 UL 94 V-0
- Terminal: Tin plated brass
- Operating temperature. -40°C to + 85°C
- RoHS compliant

Dimensional Information



2623 - 2- XX- 1

1 2 3

1. Connector Serie

3. (XX) Number of circuits

- Available in 2 through 20 circuits

Dimensions: (in mm.)

A = 2.50 x (XX*-1)

B = 2.50 x (XX*)+5.00

*XX (Number of circuits)

