

CRIMP TERMINAL



2613 SERIES. 2.50 mm. (0.098") Pitch housing

General Features

- Accommodates wire range AWG 22 through 26
- Use in housing 2.50 mm pitch 2610 series
- Dual beam contact with tin plated locking lance
- Maximum insulation diameter 1.70 mm (0.067")

Materials

- Contact: Tin pre plated Brass
- Operating temperature -40°C to +85°C

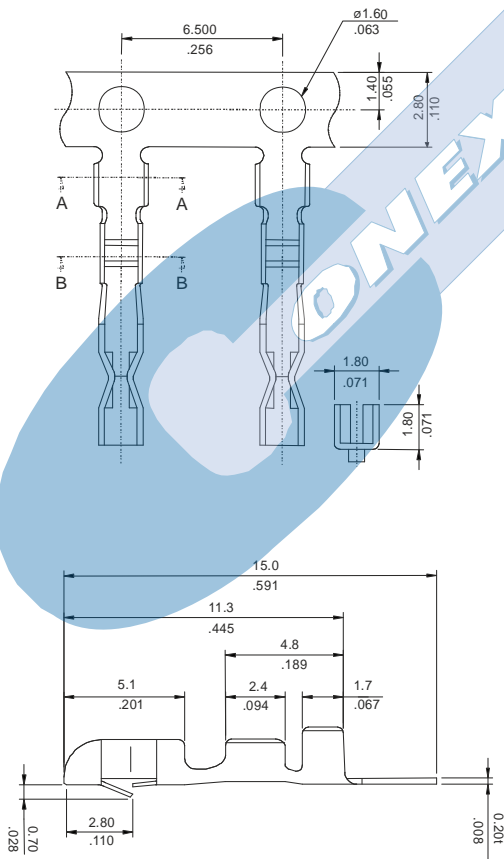
Electrical Features

- Current rating: < 3 A
- Contact resistance: < 20 mΩ

Mechanical Features

- Durability: 25 cycles
- Wire pull-out force:
 - 4.00 Kgf 22 AWG
 - 3.00 Kgf 24 AWG
 - 2.00 Kgf 26 AWG

Dimensional Information



2613 - 2- 00- E
1 2

1. Terminal Serie

2. (E) Packing Options

- E = 0. Chain
- E = 1. Loose Piece

SEC.: A-A

SEC.: B-B

