

DUAL ROW VERTICAL PIN HEADER



2558 SERIES. 2.54 mm (0.100") pitch.

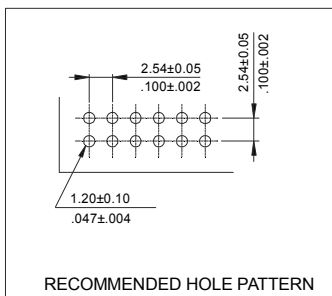
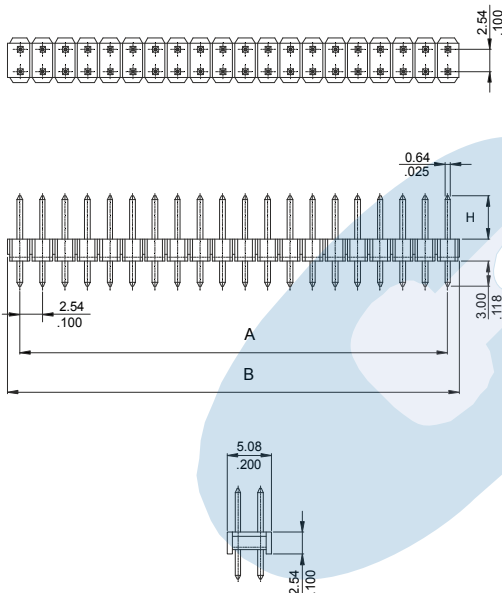
General Features

- Available in 2 through 40 circuits
- Mates with sockets 2.54 mm pitch 2201, 5453, 2202, 2444, 2470, 2248, 5452, 5552, 5458, 5408, 5459, 5455, 5454, 5472, 5474, 2199, 2203, 2472, 5425, 5356, 2576, 5456, 2471 series
- 0,64 mm. square pin with different plating
- Different pin length available. Consult Sales Office

Materials

- Insulator: PBT UL 94 V-0
- Contact: brass
- Operating temperature: -40°C to +105°C
- RoHS compliant

Dimensional Information



DIMENSIONS

$$A = 2.54 \left(\frac{XX}{2} - 1 \right) \quad B = 2.54 \left(\frac{XX}{2} \right)$$

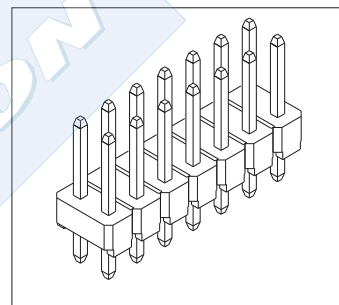
(XX) = Number of circuits

Electrical Features

- Voltage rating: < 250V
- Current rating: < 3 A
- Contact resistance: < 20 mΩ
- Dielectric withstanding voltage: 600 V AC/minute
- Insulation resistance: >1000 MΩ
- Capacitance: < 2 pF at 1 KHz

Mechanical Features

- Pin retention force to insulator: > 0,50 Kg
- Durability: 50 cycles



Ordering Information:

2558 - T- XX- C
1 2 3 4

1. Connector Series

2. (T) Contact Plating

- T = 2. Tin plated
 - T = 3. Gold flash over nickel
- Recommended Finish
- T = 5. 15μ" gold over nickel
 - T = 6. 30μ" gold over nickel
 - T = 13. Sel. gold flash over nickel overall
 - T = 15. 15μ" sel. gold over nickel overall
 - T = 16. 30μ" sel. gold over nickel overall

3. (XX) Number of circuits

- Available in 2 through 80 circuits

5. (C) Pin Dimensions

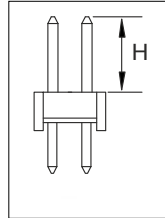
- The dimension H are optional
- (Check the dimensions table and consult Sales Office)

SINGLE ROW VERTICAL PIN HEADER



2558 SERIES. 2.54 mm (0.100") pitch.

Dimensions



C = Pin dimension

- C = **0**. Dim. H = 5.00 mm.
- C = **1**. Dim. H = 5.82 mm.
- C = **2**. Dim. H = 6.85 mm.
- C = **3**. Dim. H = 8.13 mm.
- C = **4**. Dim. H = 8.86 mm.
- C = **5**. Dim. H = 15.00 mm.
- C = **6**. Dim. H = 19.00 mm.
- C = **7**. Dim. H = 10.00 mm.
- C = **8**. Dim. H = 12.00 mm.
- C = **9**. Dim. H = 7.26 mm.
- C = **10**. Dim. H = 6.26 mm.
- C = **14**. Dim. H = 2.50 mm.
- C = **17**. Dim. H = 4.00 mm.
- C = **18**. Dim. H = 11.00 mm.
- C = **19**. Dim. H = 16.26 mm.
- C = **20**. Dim. H = 14.00 mm.