

SINGLE ROW VERTICAL PIN HEADER



2556 SERIES. 2.54 mm (0.100") pitch.

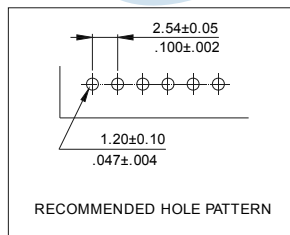
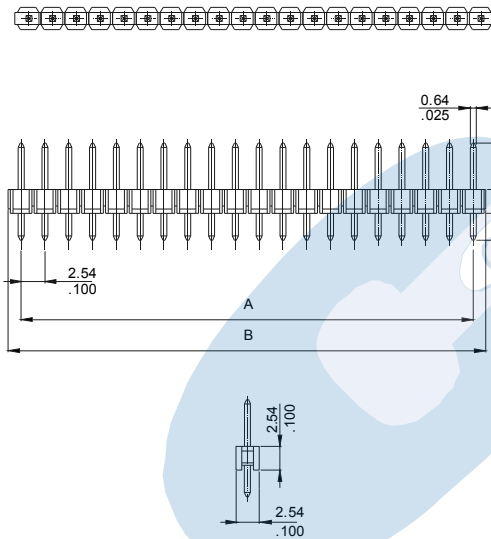
General Features

- Available in 2 through 40 circuits
- Mates with sockets 2.54 mm pitch 2101, 2550, 2595, 2596, 2553, 2554, 2247, 2551, 2552, 2577, 2102, 2106, 2452 series
- 0,64 mm. square pin with different plating
- Different pin length available
- Consult Sales Office

Materials

- Insulator: High temperature thermoplastic UL 94 V-0
- Contact: brass
- Operating temperature: -40°C to +105°C
- RoHS compliant

Dimensional Information



Opcional: Plastic base without pins

P/N: **2556-00XX** (XX= N° circuits)

Dimensions: (In mm.)

A = 2.54 x (XX*-1)

B = 2.54 x (XX*)

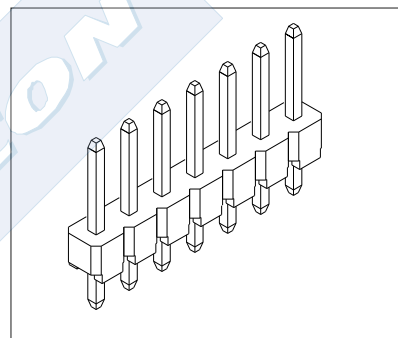
* **XX** (Number of circuits)

Electrical Features

- Voltage rating: < 250V
- Current rating: < 3 A
- Contact resistance: < 20 mΩ
- Dielectric withstanding voltage: 600 V AC/minute
- Insulation resistance: >1000 MΩ
- Capacitance: < 2 pF at 1 KHz

Mechanical Features

- Pin retention force to insulator: > 0,50 Kgf
- Durability: 50 cycles



Ordering Information:

2556 - T- XX- C
 1 2 3 4

1. Connector Series

2. (T) Contact Plating

- T = 2. Tin plated
- T = 3. Gold flash over nickel
Recommended Finish
- T = 5. 15μ" gold over nickel
- T = 6. 30μ" gold over nickel
- T = 13. Sel. gold flash over nickel overall
- T = 15. 15μ" sel. gold over nickel overall
- T = 16. 30μ" sel. gold over nickel overall

3. (XX) Number of circuits

- Available in 2 through 40 circuits

5. (C) Pin Dimensions

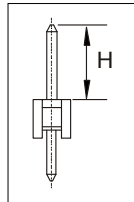
- The dimension H are optional
(Check table and consult Sales Office)

SINGLE ROW VERTICAL PIN HEADER



2556 SERIES. 2.54 mm (0.100") pitch.

Dimensions



C = Pin dimensions

- C = **0**. Dimension H = 2.90 mm.
- C = **1**. Dimension H = 5.82 mm.
- C = **2**. Dimension H = 6.85 mm.
- C = **3**. Dimension H = 8.30 mm.
- C = **4**. Dimension H = 11.80 mm.
- C = **5**. Dimension H = 15.00 mm.
- C = **6**. Dimension H = 19.00 mm.
- C = **7**. Dimension H = 9.900 mm.
- C = **8**. Dimension H = 16.56 mm.
- C = **9**. Dimension H = 7.29 mm.
- C = **10**. Dimension H = 6.26 mm.
- C = **11**. Dimension H = 7.26 mm.
- C = **12**. Dimension H = 8.86 mm.
- C = **13**. Dimension H = 5.86 mm.
- C = **14**. Dimension H = 14.70 mm.
- C = **15**. Dimension H = 11.00 mm.
- C = **16**. Dimension H = 26.00 mm.
- C = **17**. Dimension H = 19.96 mm.
- C = **18**. Dimension H = 10.60 mm.
- C = **19**. Dimension H = 12.00 mm.
- C = **20**. Dimension H = 7.00 mm.
- C = **21**. Dimension H = 4.30 mm.
- C = **22**. Dimension H = 3.00 mm.
- C = **23**. Dimension H = 4.50 mm.
- C = **24**. Dimension H = 10.25 mm.
- C = **25**. Dimension H = 17.00 mm.
- C = **26**. Dimension H = 13.00 mm.
- C = **27**. Dimension H = 6.10 mm.
- C = **28**. Dimension H = 17.80 mm.
- C = **29**. Dimension H = 5.50 mm.