

SINGLE ROW TOP ENTRY HEADER



2555 SERIES. 2.54 mm (0.100") pitch.

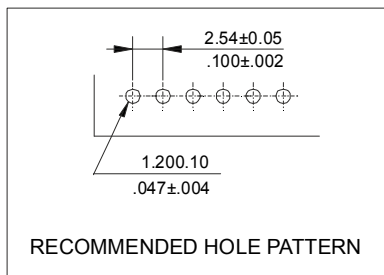
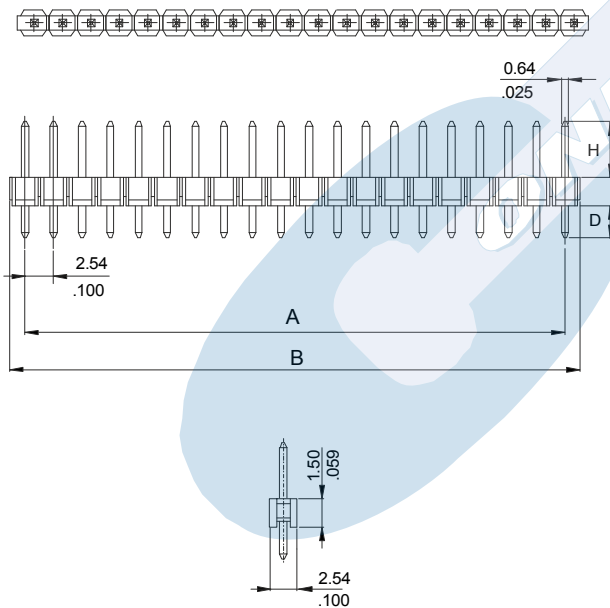
General Features

- Available in 2 through 40 circuits
- Mates with sockets 2.54 mm. pitch 2101, 2550, 2595, 2596, 2553, 2554, 2247, 2551, 2552, 2577, 2102, 2106, 2108 and 2452 series
- 0.64 mm square pin with different pin length
- Low profile plastic base 1.50mm.

Materials

- Insulator: PBT UL 94 V-0
- Contact: Brass
- Operating temperature: -40°C to +105°C
- RoHS compliant

Dimension Information



Dimensions: (In mm.)

A = 2.54 x (XX*-1)

B = 2.54 x (XX*)

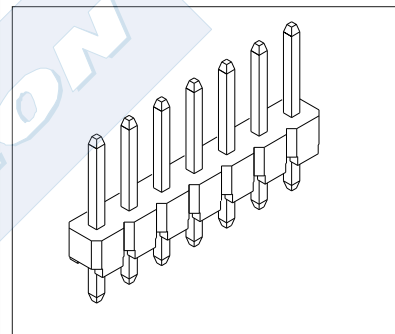
* XX (Number of circuits)

Electrical Features

- Voltage rating: < 250V
- Current rating: < 3 A
- Contact resistance: < 20 mΩ
- Dielectric withstanding voltage: 600 V AC/minute
- Insulation resistance: >1000 MΩ
- Capacitance: < 2 pF at 1 KHz

Mechanical Features

- Pin retention force to insulator: > 0.40 Kgf
- Durability: 50 cycles



Ordering Information:

2555 - T- XX- C

1 2 3 4

1. Connector Series

2. (T) Contact Plating

- T = 2. Tin plated
- T = 3. Gold flash over nickel
Recommended Finish
- T = 5. 15μ" gold over nickel
- T = 6. 30μ" gold over nickel
- T = 13. Sel. gold flash over nickel overall
- T = 15. 15μ" sel. gold over nickel overall
- T = 16. 30μ" sel. gold over nickel overall

3. (XX) Number of circuits

- Available in 2 through 40 circuits

5. (C) Pin Dimensions

- C = 0. Dim. H =2.60 mm. D = 3.00 mm.
- C = 1. Dim. H =4.70 mm. D = 3.00 mm.