

# SINGLE ROW VERTICAL SMT PIN HEADER



## 2465 SERIES. 2.54 mm (0.100") pitch. Dual Insulator.

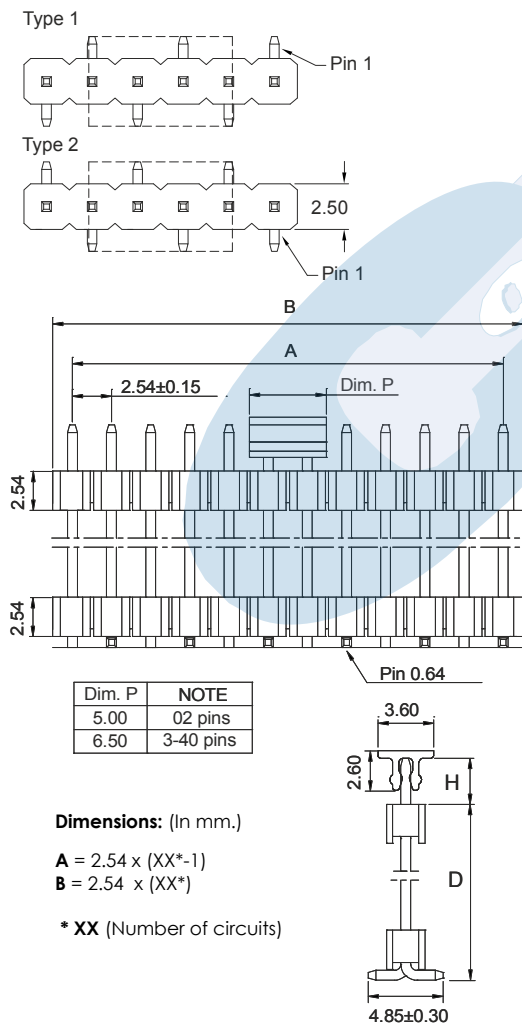
### General Features

- Available in 2 through 40 circuits
- Mates with sockets 2.54 mm pitch 2101, 2550, 2595, 2596, 2553, 2554, 2247, 2551, 2552, 2577, 2102, 2106 & 2452 series
- 0,64 mm. square pin with different plating
- Different pin length. Consult Sales Office

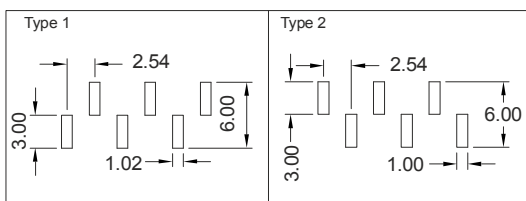
### Materials

- Insulator: High temperature thermoplastic UL 94 V-0
- Contact: brass
- Operating temperature: -40°C to +105°C
- RoHS compliant

### Dimension Information



### RECOMMENDED PCB LAYOUT

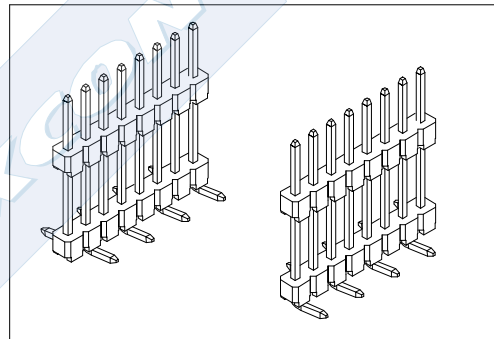


### Electrical Features

- Voltage rating: < 250V
- Current rating: < 3 A
- Contact resistance: < 20 mΩ
- Dielectric withstanding voltage: 600 V AC/minute
- Insulation resistance: >1000 MΩ
- Capacitance: < 2 pF at 1 KHz

### Mechanical Features

- Pin retention force to insulator: > 0,50 Kgf
- Durability: 50 cycles



### Ordering Information:

**2465 - T- XX- S- C E**  
 1 2 3 4 5 6

#### 1. Connector Series

#### 2. (T) Contact Plating

- T = 2. Tin plated
- T = 3. Gold flash over nickel

Recommended Finish

- T = 5. 15μ" gold over nickel
- T = 6. 30μ" gold over nickel

#### 3. (XX) Number of circuits

- Available in 2 through 40 circuits

#### 4. (S) Contacts Configuration

- S = 1. Type 1
- S = 2. Type 2

#### 5. (C) Pin Dimensions

- C = 1. H = 3.00 mm. D = 26.64 mm.

#### 6. (E) Packing Options

- E = 1. Tube + Pad
- E = 2. Reel + Pad