

DIN 41612 FEMALE R/2 TYPE



2332 SERIES. Female Right Angle PCB Type.

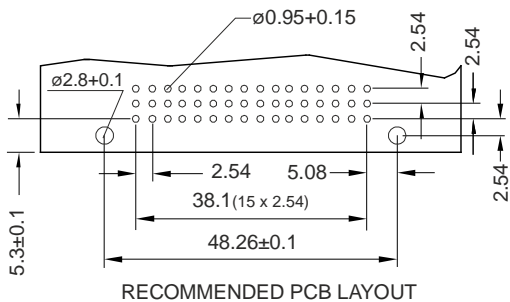
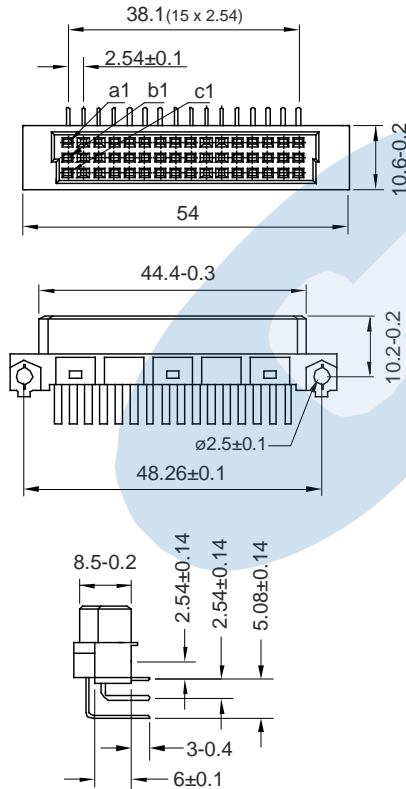
General Features

- Available in 16 (A+C row), 32 (A +C rows) and 48 (A+B+C rows)
- Mates with male C/2 Type 2327, male R/2 type 2331 Series and female IDC flat Cable 2320 Series
- Tail length 0.35x0.60 in PCB area
- Dual beam contact
- Different selective gold plating in contact and tail area

Materials

- Insulator: PBT+GF UL 94 V-0
- Contact: Phosphor bronze
- Operating temperature. -40°C to + 85°C
- RoHS compliant

Dimension information



Electrical Features

- Voltage rating: < 250 V
- Current rating: < 2A 20 °C; 1A 70 °C; 0.50 A 100 °C
- Contact resistance: < 20 m Ω
- Dielectric Withstanding Voltage: 1000 V AC/minute
- Insulation Resistance: >1000 M Ω
- Capacitance: < 2 pF at 1KHz

Mechanical Features

- Insertion force receptacle / plug: < 0.09 Kgf/pin
- Unmating force receptacle / plug: : >0.015 Kgf/pin
- Durability: 50 cycles min. according gold plating thickness

Ordering Information:

2332- T- XX- C
1 2 3 4

1. Connector Series

2. (T) Contact Plating

- T = 3. Selective gold flash plating contact area
- T = 4. 15 μ " selec. gold plating contact area
- T = 5. 30 μ " selec. gold plating contact area

3. (XX) Circuits Configuration

- 06. For 16 circuits (A row)
- 16. For 16 circuits (A+C rows) even contacts
- 24. For 48 circuits (A+B+C rows) even contacts
- 02. For 32 circuits (A+B rows)
- 32. For 32 circuits (A+C rows)
- 48. For 48 circuits (A+B+C rows)

4. (C) Tail Options

- 1. Standard tail 0,35 x0.60 mm in PCB area

