

DIN 41612 FEMALE C TYPE PRESS-FIT



2315P SERIES. Female Vertical PCB Type.

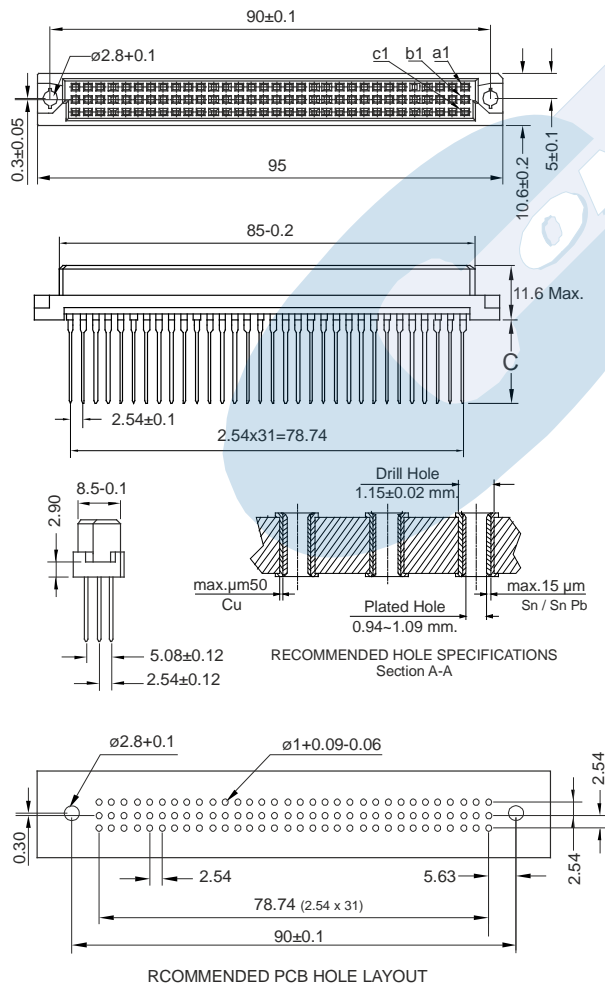
General Features

- Available in 32 (A row), 32 (A+C rows), 48 (A+B+C rows), 64 (A+B rows), 64 (A+C rows) and 96 (A+B+C rows)
- Mates with male C Type 2326, male R type 2317 series and male IDC flat cable 2320 series
- Different tail length in PCB area
- Dual beam contact
- Different selective gold plating in contact and tail area

Materials

- Insulator: PBT+GF UL 94 V-0
- Contact: Phosphor bronze
- Operating temperature: -40°C to + 85°C
- RoHS compliant

Dimension information



Electrical Features

- Voltage rating: < 250 V
- Current rating: < 2A 20 °C; 1A 70 °C; 0.50 A 100 °C
- Contact resistance: < 20 mΩ
- Dielectric Withstanding Voltage: 1000 V AC/minute
- Insulation Resistance: > 1000 MΩ
- Capacitance: < 2 pF at 1KHz

Mechanical Features

- Insertion force receptacle / plug: < 0.09 Kgf/pin
- Unmating force receptacle / plug: : > 0.015 Kgf/pin
- Durability: 50 cycles min. according gold plating thickness

Ordering Information:

2315P- **I-** **XX-** **C**
 1 2 3 4

1. Connector Series

2. (I) Contact Plating

- T = 2. Tin plated
- T = 3. Selective gold flash plating contact area
- T = 4. $15 \mu\text{m}$ selc. gold plating contact area
- T = 5. $30 \mu\text{m}$ selc. gold plating contact area
- T = 33. Sel. gold flash plating cont. and tail area
- T = 44. $15 \mu\text{m}$ Sel. gold flash plat. cont. and tail area
- T = 55. $30 \mu\text{m}$ sel. gold flash plat. cont. and tail area

3. (XX) Circuits Configuration

- 02. For 32 circuits (A row)
- 32. For 32 circuits (A+C rows) even contacts
- 48. For 48 circuits (A+B+C rows) even contacts
- 04. For 64 circuits (A+B rows)
- 64. For 64 circuits (A+C rows)
- 96. For 96 circuits (A+B+C rows)

4. (C) Tail Options

- 5. PCB tail 0.60x0.60 (5.00 mm.)
- 3. Wrapping 0,60x0,60 (13.00 mm.)
- 7. Wrapping 0,60x0,60 (17.00 mm.)
- 8. Wrapping 0,64x0,64 (13.00 mm.)
- 9. Wrapping 0,64x0,64 (17.00 mm.)