

DIN 41612 FEMALE H15 TYPE



2312 SERIES. Female Vertical PCB Type.

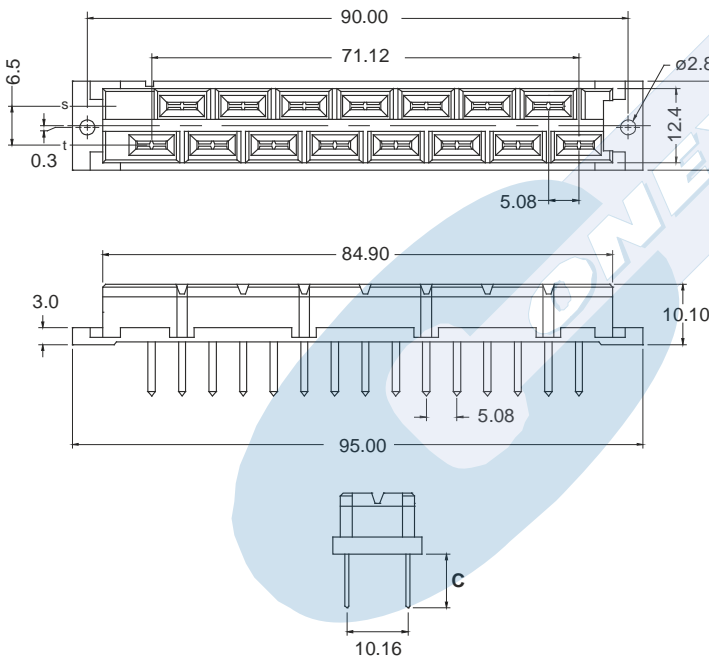
General Features

- Available in 15 circuits
- Mates with male H15 Type 2313 series
- Dual beam contact
- Different selective gold plating in contact and tail area

Materials

- Insulator: PBT+GF UL 94 V-0
- Contact: Brass
- Operating temperature: -40°C to + 85°C
- RoHS compliant

Dimension information



Electrical Features

- Voltage rating: < 250 V
- Current rating: < 15A
- Contact resistance: < 15 mΩ
- Dielectric Withstanding Voltage: 3100 V AC/minute
- Insulation Resistance: >1000 MΩ

Mechanical Features

- Insertion force receptacle / plug: < 0.60 Kgf/pin
- Unmating force receptacle / plug: >0.02 Kgf/pin
- Durability: 50 cycles min. according gold plating thickness

Ordering Information:

2312- T- XX- C
 1 2 3 4

1. Connector Series

2. (T) Contact Plating

- T = 1. Silver plating

3. (XX) Circuits Configuration

- 15. For 15 circuits

4. (C) Tail Options

- 1. Pcb tail 0.60x1.20 (4.00 mm.)
- 2. Pcb tail 0.60x1.20 (10 mm)

