

DIN 41612 FEMALE Q/2 TYPE



2232 SERIES. Female Right Angle PCB Type.

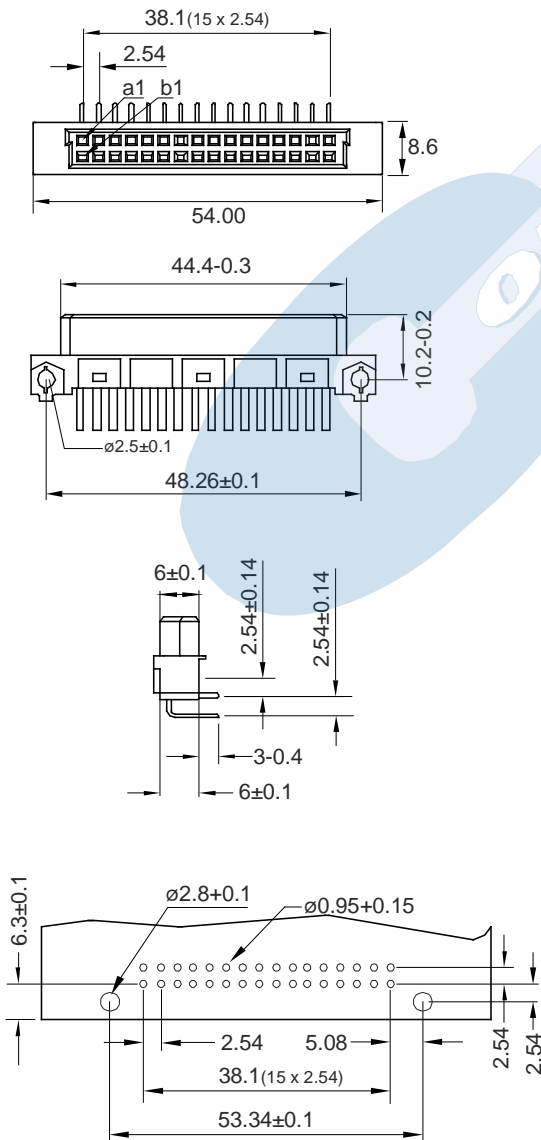
General Features

- Available in 16 (A row), 32 (A+B row), 64 (A+B rows)
- Mates with male B/2 Type 2227 and Q/2 type 2231 series
- Tail 0.35 x 0.60 mm. in PCB area
- Dual beam contact
- Different selective gold plating in contact area

Materials

- Insulator: PBT+GF UL 94 V-0
- Contact: Phosphor bronze
- Operating temperature. -40°C to + 85°C
- RoHS compliant

Dimension information



RECOMMENDED PCB LAYOUT

Electrical Features

- Voltage rating: < 250 V
- Current rating: < 2A 20 °C; 1A 70 °C; 0.50 A 100 °C
- Contact resistance: < 20 mΩ
- Dielectric Withstanding Voltage: 1000 V AC/minute
- Insulation Resistance: > 1000 MΩ
- Capacitance: < 2 pF at 1KHz

Mechanical Features

- Insertion force receptacle / plug: < 0.09 Kgf/pin
- Unmating force receptacle / plug: : > 0.015 Kgf/pin
- Durability: 50 cycles min. according gold plating thickness

Ordering Information:

2232- **I-** **XX-** **C**
 1 2 3 4

1. Connector Series

2. (I) Contact Plating

- T = 3. Selective gold flash plating contact area
- T = 4. 15 μ" selec. gold plating contact area
- T = 5. 30 μ" selec. gold plating contact area

3. (XX) Circuits Configuration

- 06. For 16 circuits (A row)
- 16. For 32 circuits (A+B rows) even contacts
- 32. For 32 circuits (A+B rows)

4. (C) Tail Options

- 1. Standard tail 0.35 x 0.60 mm. in PCB area

