

# DIN 41612 MALE B TYPE



## 2226 SERIES. Male Right Angle PCB Type.

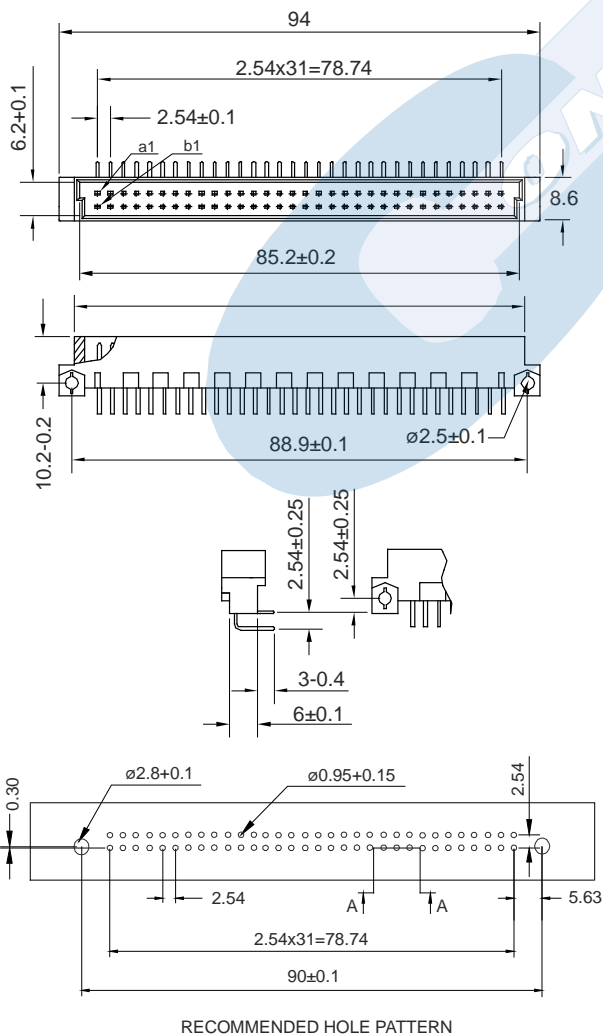
### General Features

- Available in 16 (A row), 32 (A row), 32 (A+B rows) and 64 (A+B rows)
- Mates with female B Type 2215, female Q type 2218 Series and female IDC flat Cable 2219 Series
- Tail length 0.48x0.48 in PCB area
- Optional extended (5.60 mm.) or shorted (4.25 mm.) pin in contac area (Consult Sales Office)
- Different selective gold plating in contact and tail area

### Materials

- Insulator: PBT+GF UL 94 V-0
- Contact: Phosphor bronze
- Operating temperature: -40°C to + 85°C
- RoHS compliant

### Dimension information



### Electrical Features

- Voltage rating: < 250 V
- Current rating: < 2A 20 °C; 1A 70 °C; 0.50 A 100 °C
- Contact resistance: < 20 m $\Omega$
- Dielectric Withstanding Voltage: 1000 V AC/minute
- Insulation Resistance: >1000 M $\Omega$
- Capacitance: < 2 pF at 1KHz

### Mechanical Features

- Insertion force receptacle / plug: < 0.09 Kgf/pin
- Unmating force receptacle / plug: : >0.015 Kgf/pin
- Durability: 50 cycles min. according gold plating thickness

### Ordering Information:

**2226-**   **T-**   **XX-**   **C**  
 1            2            3            4

#### 1. Connector Series

#### 2. (T) Contact Plating

- T = 3. Selective gold flash plating contact area
- T = 4. 15  $\mu$ m selec. gold plating contact area
- T = 5. 30  $\mu$ m selec. gold plating contact area

#### 3. (XX) Circuits Configuration

- 16. For 16 circuits (A row) even contacts
- 02. For 32 circuits (A row)
- 32. For 32 circuits (A+B rows) even contacts
- 64. For 64 circuits (A+B rows)

#### 4. (C) Tail Options

- 1. Standard pin length contact area 5.05 mm.

