

SINGLE ROW VERTICAL SOCKET 8.50 mm.



2101 SERIES. 2.54 mm (0.100") pitch.

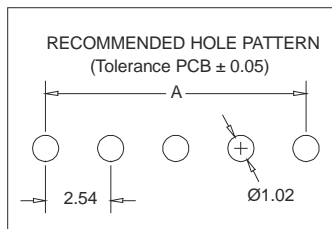
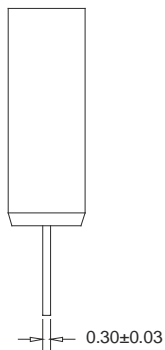
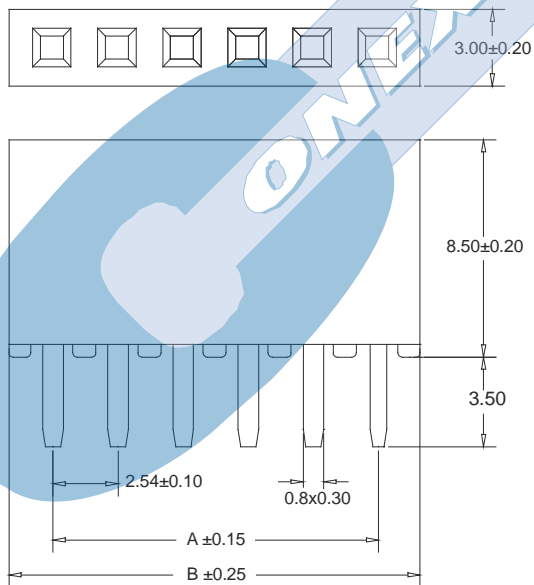
General Features

- Available in 2 through 40 circuits
- Mates with pin header 2.54 mm pitch 2556, 2549, 2548, 2590, 2567, 2542, 2589 and 2578 series
- Accept 0.64 square pin
- 8.50 mm high
- Dual beam contact with different plating

Materials

- Insulator: PBT UL 94 V-0
- Contact: Phosphor bronze
- Operating temperature: -40°C to +105°C
- RoHS compliant

Dimension Information

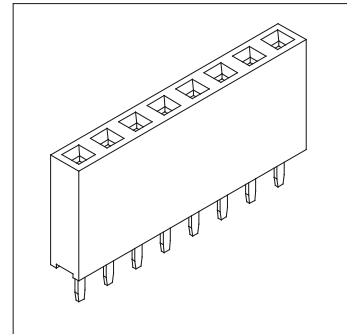


Electrical Features

- Voltage rating: < 250V
- Current rating: < 3 A
- Contact resistance: < 20 mΩ
- Dielectric withstanding voltage: 600 V AC/minute
- Insulation resistance: >1000 MΩ
- Capacitance: < 2 pF at 1 KHz

Mechanical features

- Insertion force receptacle/plug: < 0,40 Kgf/pin
- Unmating force receptacle/plug: > 0,03 Kgf/pin
- Contact retention force to housing: > 0,50 Kgf/pin
- Durability: 50 cycles



Ordering Information:

2101 - T- XX- 1
 1 2 3

1. Connector Series

2. (T) Contact Plating

- T = 2. Tin plated
- T = 3. Gold flash over nickel
Recommended Finish
- T = 5. 15μ" gold over nickel
- T = 6. 30μ" gold over nickel

3. (XX) Number of circuits

- Available in 2 through 40 circuits

Dimensions: (In mm.)

A = 2.54 x (XX*-1)

B = 2.54 x (XX)+0.80

* XX (Number of circuits)