

FLAT CABLE IDC SOCKET



2039 SERIES. 2.00 x 2.00 mm. (0.079 x 0.079") pitch.

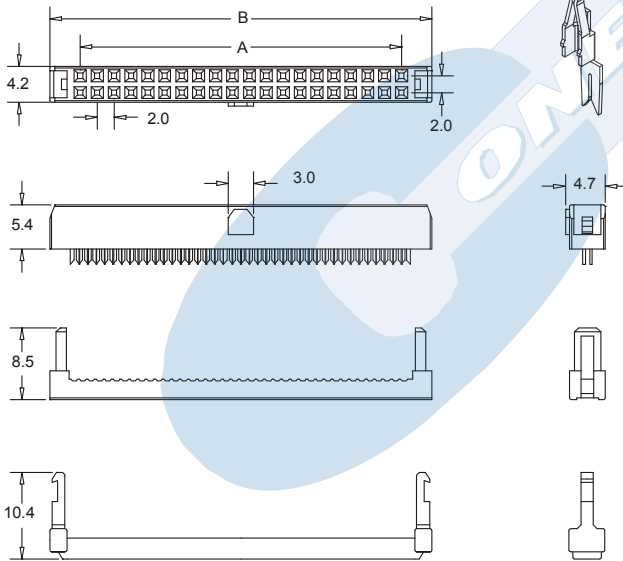
General Features

- Available in 6, 8, 10, 12, 14, 16, 20, 22, 24, 26, 30, 34, 40, 44, 50 and 68 circuits
- Mates with 2.00 mm pitch pin headers and connectors 4444, 4446, 4447, 4443, 4439, 4440, 4449, 4441, 4442, 4448, 4451, 4452 and 4453 series
- Use flat cable 1.00 mm pitch 9100 series
- Dual beam contact

Materials

- Insulator: PBT, glass reinforced, rated UL 94V-0
- Terminal: Phosphor bronze
- Operating temperature: -25°C to +85°C
- RoHS compliant

Dimension Information



Optional: Strain relief (2039 - 00XX)
XX = N° of circuits

Dimensions: (In mm.)

$$A = 2.00 \left(\frac{XX}{2} - 1 \right) \quad B = 2.00 \left(\frac{XX}{2} \right) + 5.20$$

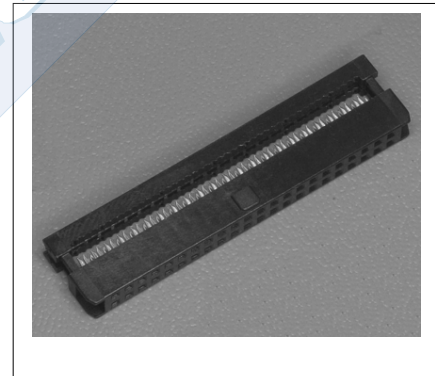
(XX) = Number of circuits

Electrical Features

- Voltage rating: < 250V
- Current rating: < 1 A
- Contact resistance: < 30 mΩ
- Dielectric withstanding Voltage: 500 V AC/minute
- Insulation resistance: >1000 MΩ

Mechanical Features

- Insertion force to header: < 0.30 Kgf/pin
- Withdrawal force from header: < 0.04 Kgf/pin
- Durability: 50 Cycles



Ordering Information:

2039 - **T** - **XX** - **1**
1 2 3 4

1. Connector Series

2. (T) Contact Plating

- T = 2. Tin plated
- T = 3. Gold flash over nickel
Recommended Finish
- T = 5. 15μ" gold over nickel
- T = 6. 30μ" gold over nickel

3. (XX) Number of circuits

- Available in 6 through 68 circuits