

# SINGLE ROW VERTICAL PIN HEADER



## 2016 SERIES. 2.00 mm (0.079") pitch.

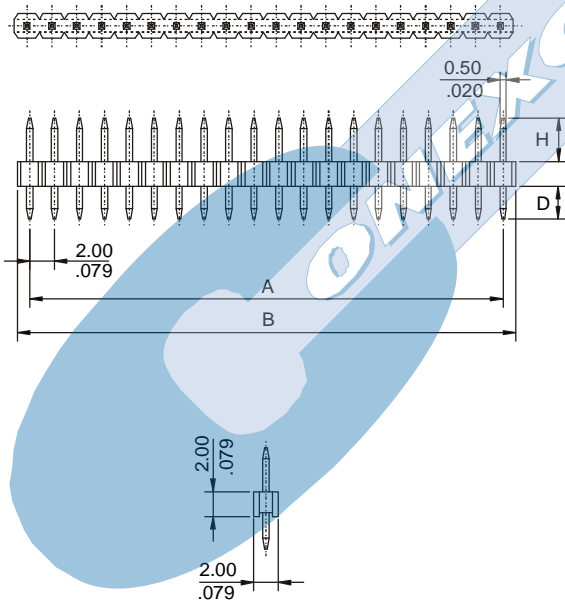
### General Features

- Available in 2 through 40 circuits
- Mates with sockets 2.00 mm pitch 2041, 2047, 2054, 2166, 2149 and 2018 series
- 0.50 mm. square pin with different plating
- Available with different pin length. Contact sales office

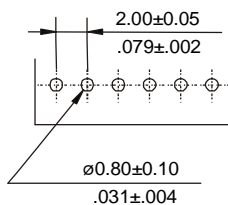
### Materials

- Insulator: Polyester nylon 6T UL 94 V-0
- Contact: brass
- Operating temperature: -40°C to +105°C
- RoHS Compliant

### Dimension Information



### RECOMMENDED HOLE PATTERN



Dimensions: (In mm.)

A = 2.00 x (XX\*-1)

B = 2.00 x (XX\*)

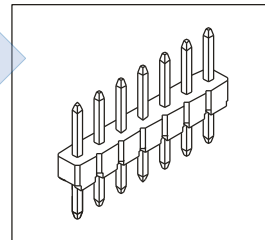
\* XX (Number of circuits)

### Electrical Features

- Voltage rating: < 125V
- Current rating: < 2 A
- Contact resistance: < 20 mΩ
- Dielectric withstanding voltage: 500 V AC/minute
- Insulation resistance: >1000 MΩ
- Capacitance: < 2pF at 1 KHz.

### Mechanical Features

- Pin retention force to insulator: > 0.30 Kgf
- Durability: 50 cycles



### Ordering Information:

**2016 - T- XX- C**  
 1            2            3            4

#### 1. Connector Series

#### 2. (T) Contact Plating

- T = 2. Tin plated
- T = 3. Gold flash over nickel  
Recommended Finish
- T = 5. 15μ" gold over nickel
- T = 6. 30μ" gold over nickel
- T = 13. Sel. gold flash over nickel overall
- T = 15. 15μ" sel. gold over nickel overall
- T = 16. 30μ" sel. gold over nickel overall

#### 3. (XX) Number of circuits

- Available in 2 through 40 circuits

#### 4. (C) Pin Dimensions

- C = 1. H = 4.00 mm.      D = 2.80 mm.
- C = 2. H = 3.50 mm.      D = 2.60 mm.
- C = 3. H = 11.00 mm.     D = 2.60 mm.
- C = 4. H = 8.00 mm.      D = 2.60 mm.
- C = 5. H = 3.50 mm.      D = 3.40 mm.
- C = 6. H = 20.00 mm.     D = 2.80 mm.
- C = 7. H = 15.00 mm.     D = 2.80 mm.
- C = 8. H = 6.00 mm.      D = 2.80 mm.
- C = 9. H = 11.00 mm.     D = 9.00 mm.
- C = 10. H = 2.50 mm.     D = 2.50 mm.