

DUAL ROW SIDE ENTRY HEADER



1992 SERIES. 2.00 x 2.00 mm. (0.079" x 0.079") pitch.

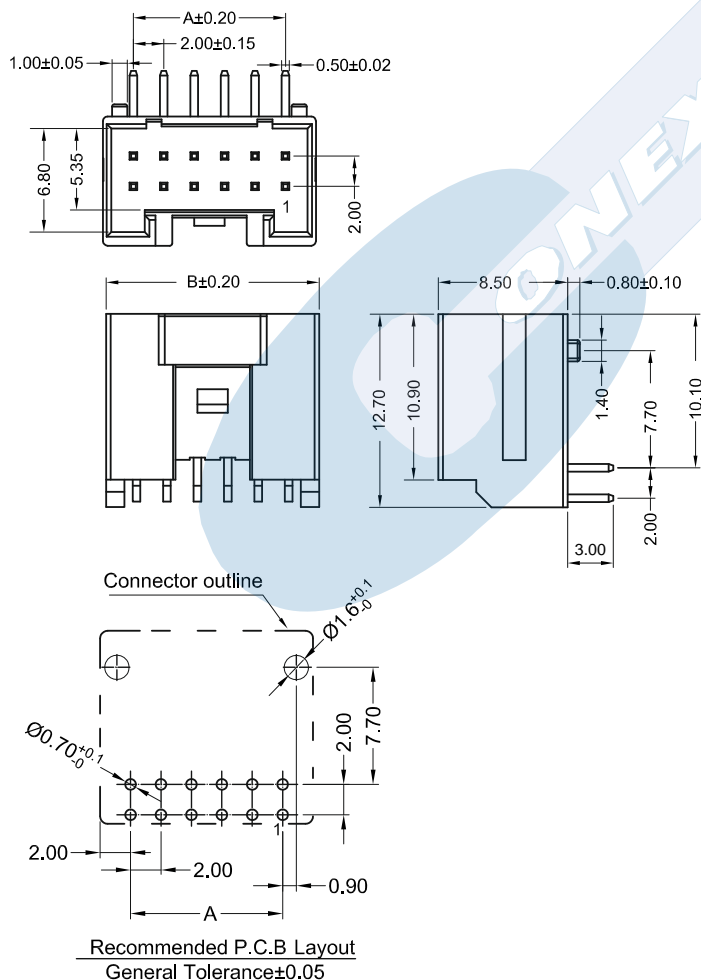
General Features

- Available in 8 through 40 circuits
- Mates with 2.00 mm crimp housing 1990 series
- Tin plated 0.50 mm square pin
- Fully shrouded with polarized slot

Materials

- Insulator: PA 4T UL 94 V-0 UL 94 V-0
- Contact: Tin plated brass
- Operating temperature: -25°C to +85°C
- RoHS Compliant

Dimension Information

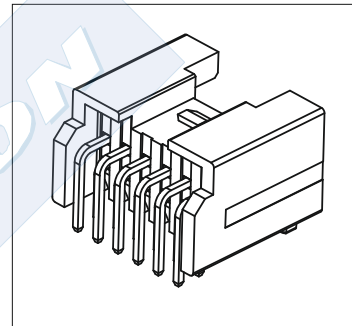


Electrical Features

- Voltage rating: < 250 V
- Current rating: < 3 A
- Contact resistance: < 20 mΩ
- Dielectric Withstanding Voltage: 800 V AC/minute
- Insulation Resistance: >1000 MΩ

Mechanical features

- Pin retention force to insulator: > 1.00 Kgf
- Durability: 25 cycles



1992 - T- XX- 1
1 2 3 4

1. Connector Serie

2. (T) Contacts Plating

- T = 2. Tin-plated.
RECOMMENDED FINISH

3. (XX) Number of circuits

- Available in 2 through 16 circuits

DIMENSIONS

$$A = 2.00 \left(\frac{XX}{2} - 1 \right) \quad B = 2.00 \left(\frac{XX}{2} \right) + 2$$

(XX) = Number of circuits

