

SINGLE ROW TOP/ SIDE ENTRY HEADER



1802 SERIES. 1.80 mm. (0.071") pitch.

General Features

- Available in 2 circuits
- Mates with 1.80 mm. crimp housing 1800 series
- Fully shrouded with polarized slot and positive lock
- Available Top or side entry

Materials

- Insulator: Nylon 6/6 UL 94 V-0
- Contact: Tin plated brass
- Operating temperature: -25°C to +85°C
- RoHS compliant

Dimension Information

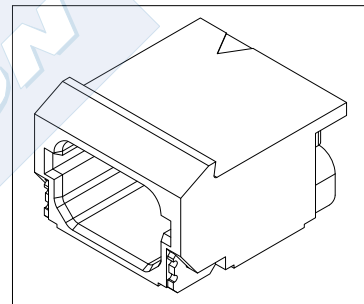
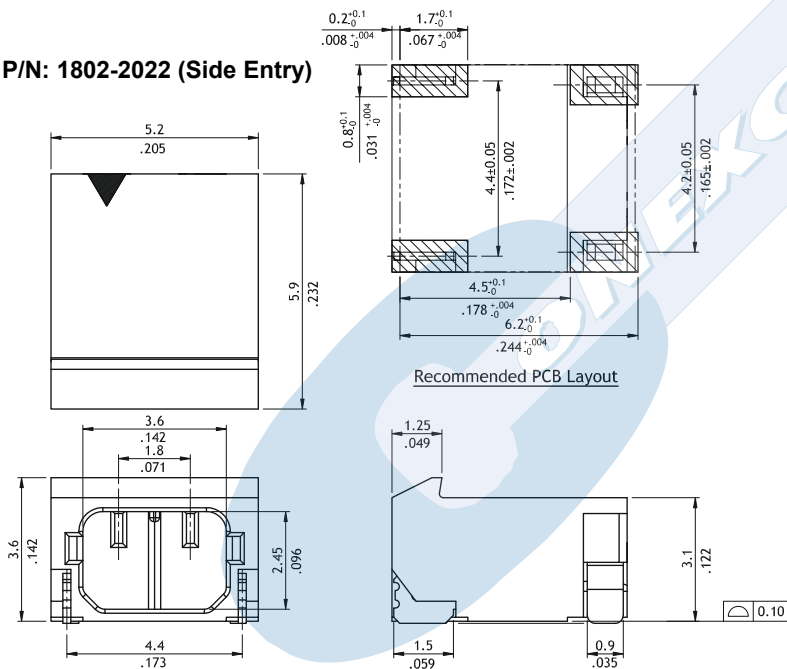
Electrical Features

- Voltage rating: < 350V
- Current rating: < 4 A
- Contact resistance: < 30 mΩ
- Dielectric withstanding voltage: 1000 V AC/minute
- Insulation Resistance: >1000 MΩ

Mechanical Features

- Pin retention force to insulator: > 0.40 Kg f
- Durability: 25 cycles

P/N: 1802-2022 (Side Entry)



1802 - T- 02- S
1 2 3

1. Connector Serie
2. (T) Contacts Plating
 - T = 2. Tin plated
3. (S) Connector type
 - S = 1. Top Entry
 - S = 2. Side Entry

P/N: 1802-2021 (Top entry)

