

SINGLE ROW TOP ENTRY SMT HEADER



1587 SERIES. 1.50 mm. (0.059") pitch.

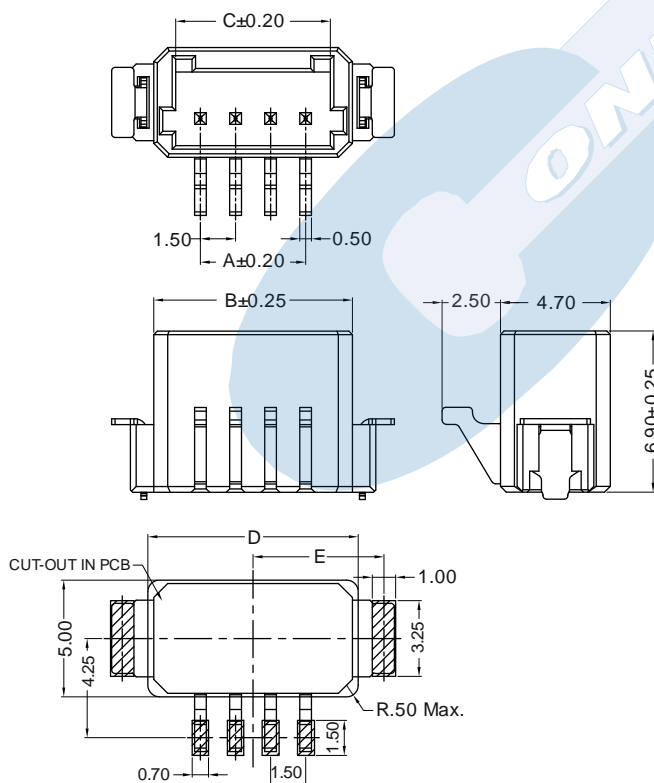
General Features

- Available in 2 through 6 circuits
- Mates with 1.50 mm crimp housing 1585 series
- Tin plated pin. Locking slots provide secure mating
- Polarization and low profile
- Soldering tabs to fix to PCB

Materials

- Insulator: Polyester UL 94 V-0
- Contact: Tin plated brass
- Operating temperature: -25°C to +85°C
- RoHS compliant

Dimension Information



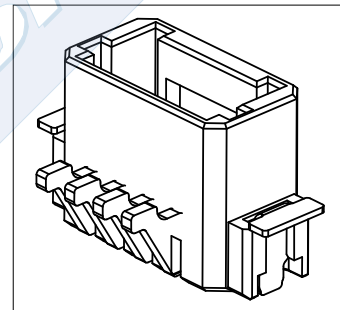
Recommended P.C.B Layout
General Tolerance ± 0.05

Electrical Features

- Voltage rating: < 350V
- Current rating: < 3 A
- Contact resistance: < 20 mΩ
- Dielectric withstanding voltage: 500 V AC/minute
- Insulation resistance: > 500 MΩ

Mechanical Features

- Pin retention force to insulator: > 0.40 KgF
- Durability: 25 cycles



1587 - T- XX- 1 E
1 2 3 4

1. Connector Serie

2. (T) Contacts Plating

- T = 2. Tin plated.
RECOMMENDED FINISH

3. (XX) Number of circuits

- Available in 2 through 6 circuits

4. (E) Packing Options

- E = 2. Reel+Pad

Dimensions: (In mm.)

A = 1.50 x (XX*-1)
B = 1.50 x (XX)+2.50
C = 1.50 x (XX)+0.62
D = 1.50 x (XX)+3.00
E = 1.50 x (XX)+1.10

(XX) = Number of circuits