

SINGLE ROW TOP ENTRY SMT HEADER



1575 SERIES. 1.50 mm. (0.059") pitch.

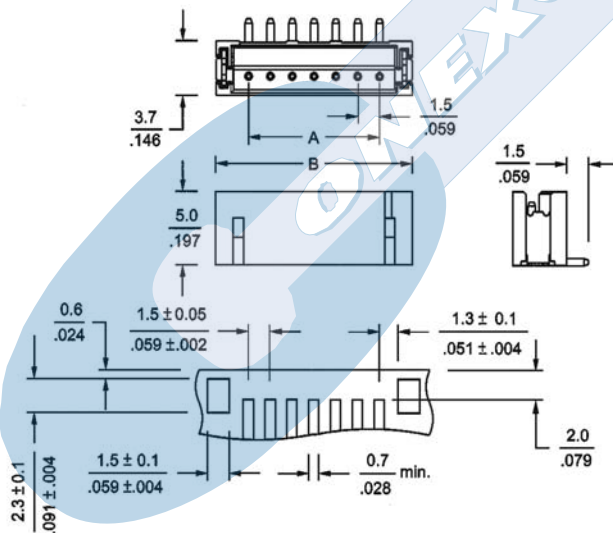
General Features

- Available in 2 through 15 circuits
- Mates with 1.50 mm crimp housing 1570 serie
- 0.50 mm round pin plated
- Locking slots provide secure mating
- Polarization and low profile

Materials

- Insulator: polyester UL 94 V-0
- Contact: Tin plated brass
- Operating temperature: -25°C to +85°C
- RoHS compliant

Dimension Information

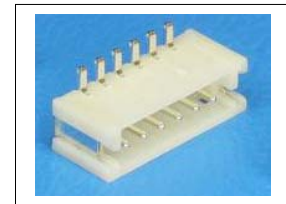


Electrical Features

- Voltage rating: < 125V
- Current rating: < 1 A
- Contact resistance: < 20 mΩ
- Dielectric withstanding voltage: 250 V AC/minute
- Insulation Resistance: >100 MΩ

Mechanical features

- Pin retention force to insulator: > 0.40 Kg f
- Durability: 25 cycles



1575 - T- XX- 1- E
 1 2 3 4

1. Connector Serie

2. (T) Contacts Plating

- T = 2. Tin plated.
RECOMMENDED FINISH

3. (XX) Number of contacts

- Available in 2 through 15 circuits

4. (E) Packing Options

- E = 1. Tube+Pad
- E = 2. Reel+Pad

Dimensions: (In mm.)

A = 1.50 x (XX-1)

B = 1.50 x (XX)+3

(XX) = Number of circuits