

SINGLE ROW SIDE ENTRY SMT HEADER



1559 SERIES. 1.50 (0.049") mm pitch.

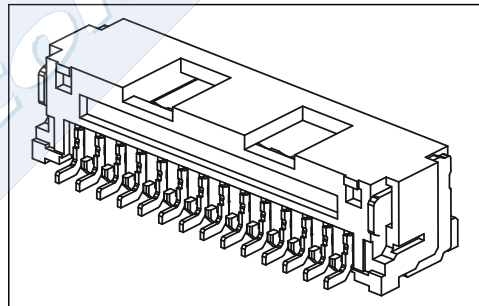
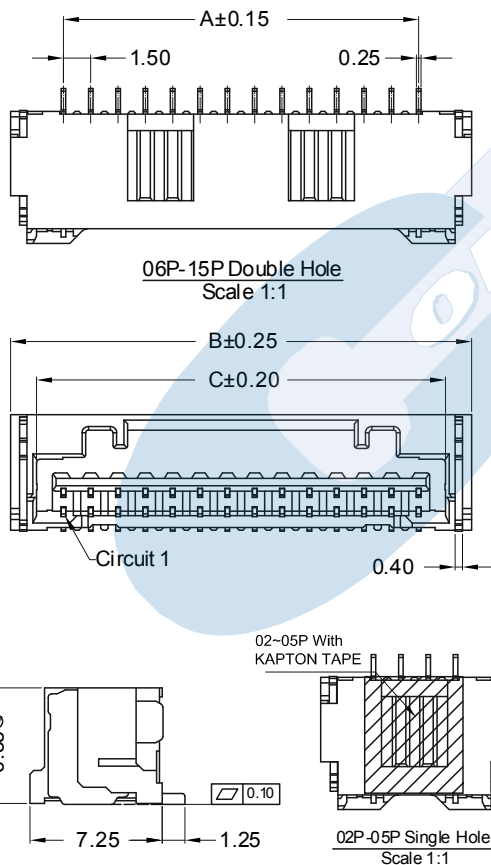
General Features

- Available in 2 through 15 circuits
- Mates with 1.50 mm crimp housing 1555 series
- Tin plated pin
- Positive locking system
- Low profile

Materials

- Insulator: High temperature plastic UL 94 V-0
- Contact: Tin plated phosphor bronze
- Operating temperature: -40°C to +85°C
- RoHS Compliant

Dimension Information



1559 - T- XX- E
1 2 3 4

1. Connector Serie

2. (T) Contacts Plating

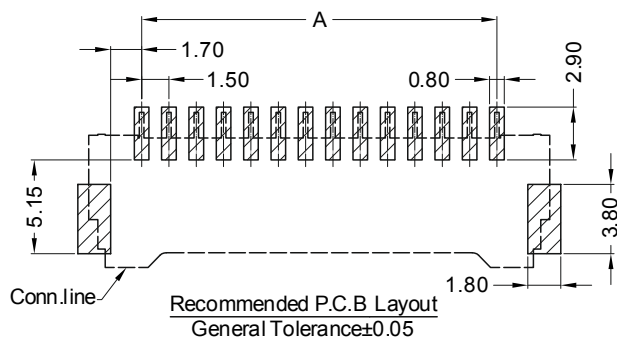
- T = 2. Tin-plated.
RECOMMENDED FINISH

3. (XX) Number of circuits

- Available in 2 through 15 circuits

4. (E) Packing Options

- E = 1. Pad + Tube
- E = 2. Pad + Reel



Dimensions: (In mm.)

A = 1.50 x (XX-1)
B = 1.50 x (XX)+4.30
C = 1.50 x (XX)+1.45

(XX) = Number of circuits