

SINGLE ROW TOP ENTRY SMT HEADER



1558 SERIES. 1.50 (0.049") mm pitch.

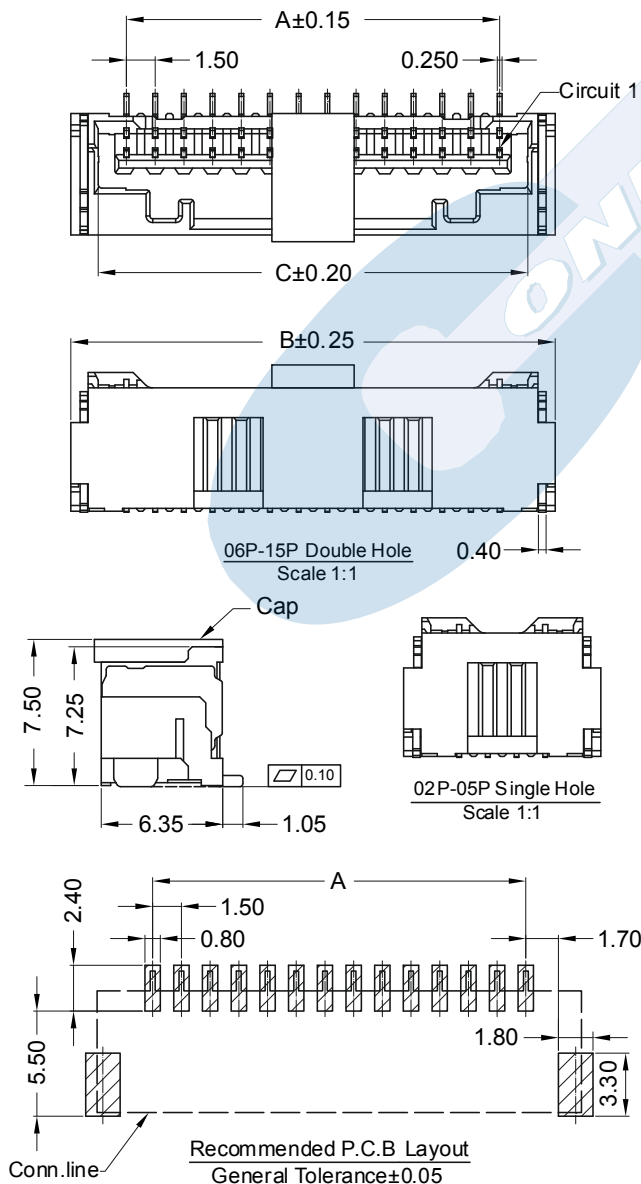
General Features

- Available in 2 through 15 circuits
- Mates with 1.50 mm crimp housing 1555 series
- Tin plated pin
- Positive locking system
- Low profile

Materials

- Insulator: High temperature plastic UL 94 V-0
- Contact: Tin plated phosphor bronze
- Operating temperature: -40°C to +85°C
- RoHS Compliant

Dimension Information

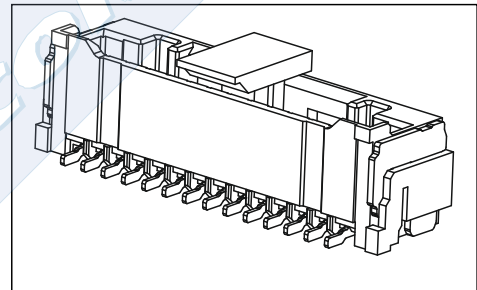


Electrical Features

- Voltage rating: < 100V
- Current rating: < 2 A
- Contact resistance: < 20 mΩ
- Dielectric Withstanding Voltage: 250 V AC/minute
- Insulation Resistance: >500 MΩ

Mechanical features

- Pin retention force to insulator: > 0.30 Kgf
- Withdrawal force: > 0.020 Kgf/pin
- Pin retention force to insulator: > 0.30 Kgf
- Durability: 25 cycles



1558 - T- XX- E
 1 2 3 4

1. Connector Serie

2. (T) Contacts Plating

- T = 2. Tin-plated.
RECOMMENDED FINISH

3. (XX) Number of circuits

- Available in 2 through 15 circuits

4. (E) Packing Options

- E = 1. Pad + Tube
- E = 2. Pad + Reel

Dimensions: (In mm.)

A = 1.50 x (XX-1)
 B = 1.50 x (XX)+4.30
 C = 1.50 x (XX)+1.45

(XX) = Number of circuits