

FLAT CBLE IDC DIP PLUG



1545 SERIES. 1.90 x 2.54 mm. (0.075 x 0.100") pitch. 4 Rows

General Features

- Available in 10, 14, 16, 20, 26, 30, 34, 40, 50, 60, 68, 80 and 100 circuits
- Allows to solder the flat cable to the PCB
- Use flat cable 0.635 mm pitch 9063 series
- 4 rows in PCB 1.90 x 2.54 mm.

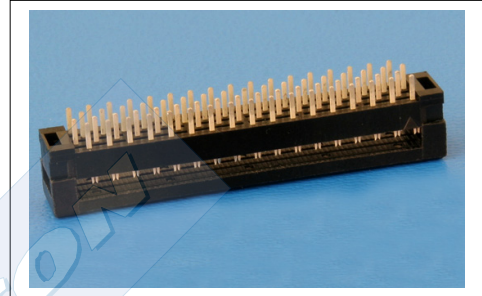
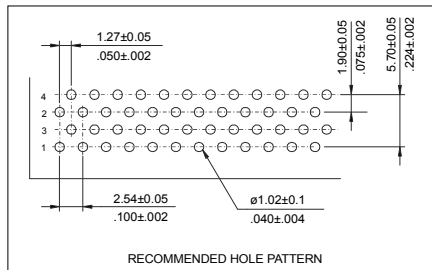
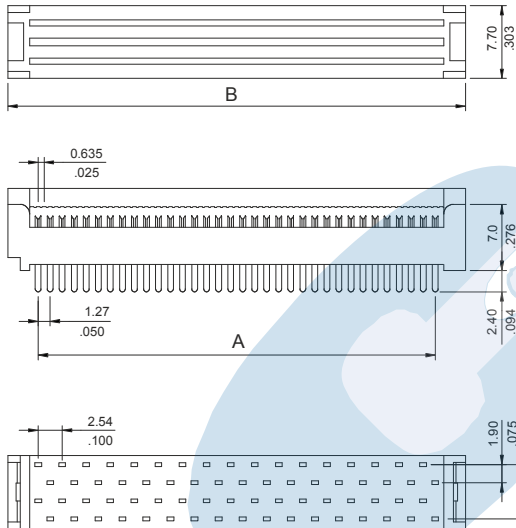
Electrical Features

- Voltage rating: < 250V
- Current rating: < 1 A
- Contact resistance: < 30 mΩ
- Dielectric withstanding Voltage: 250 V AC/minute
- Insulation resistance: >1000 MΩ

Materials

- Insulator: PBT, glass reinforced, rated UL 94V-0
- Terminal: Phosphor bronze
- Operating temperature. -40°C to +105°C
- RoHS compliant

Dimension Information



Ordering Information:

1545 - T- XXX
1 2 3

1. Connector Series

2. (T) Contact Plating

- T = 2. Tin plated
- T = 3. Gold flash over nickel
Recommended Finish
- T = 5. 15μ" gold over nickel
- T = 6. 30μ" gold over nickel

3. (XX) Number of circuits

- Available in 10 through 100 circuits

Dimensions: (In mm.)

$$A = 1.27 \left(\frac{XX}{2} - 1 \right) \quad B = 1.27 \left(\frac{XX}{2} \right) + 6.28$$

(XX) = Number of circuits