

# DUAL ROW RIGHT ANGLE SMT PIN HEADER



## 1359 SERIES. 1.27 x 2.54 mm (0.050" x 0.100") pitch.

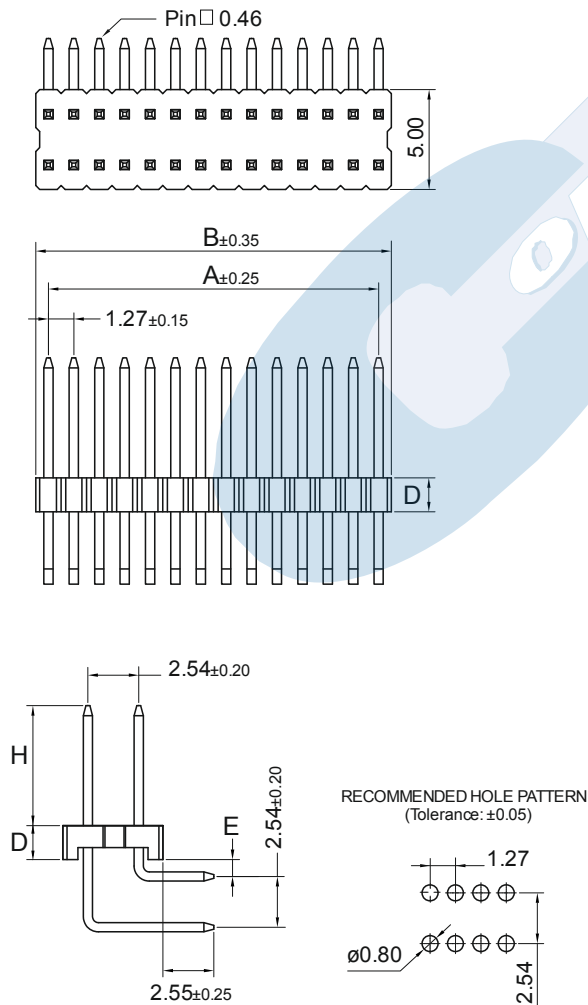
### General Features

- Available in 4 through 80 circuits
- Mates with sockets dual row 1.27 x 2.54 mm pitch 1285, 1286 and 1287 series
- 0,46 mm. square pin with different plating options
- Available different pin length
- Contact Sales Office

### Materials

- Insulator: Polyester LCP UL 94 V-0
- Contact: Brass
- Operating temperature: -40°C to +105°C
- RoHS compliant

### Dimension Information



### DIMENSIONS:

$$A = 1.27 \left( \frac{XX}{2} - 1 \right)$$

$$B = 1.27 \left( \frac{XX}{2} \right)$$

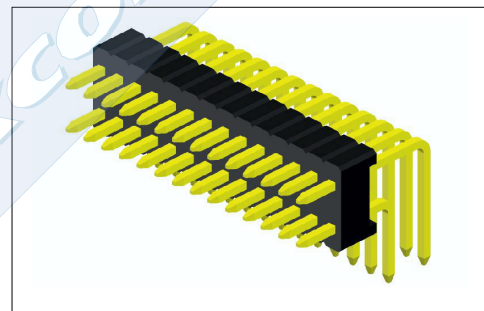
XX = Number of circuits

### Electrical Features

- Voltage rating: < 100V
- Current rating: < 1 A
- Contact resistance: < 20 mΩ
- Dielectric withstanding voltage: 300 V AC/minute
- Insulation resistance: >1000 MΩ
- Capacitance: < 2 pF at 1 KHz

### Mechanical features

- Pin retention force to insulator: > 0,15 Kgf
- Durability: 50 cycles



### Ordering Information:

**1359 - T- XX- C**  
 1            2            3            4

#### 1. Connector Series

#### 2. (T) Contact Plating

- T = 2. Tin plated
- T = 3. Gold flash over nickel.  
 Recommended Finish
- T = 5. 15μ" gold over nickel
- T = 6. 30μ" gold over nickel
- T = 13. Selective gold flash over nickel
- T = 15. 15μ" selective gold over nickel
- T = 16. 30μ" selective gold over nickel

#### 3. (XX) Number of circuits

- Available in 04 through 80 circuits

#### 4. (C) Pin Length

- C = 1. H = 2.80mm ; D = 2.54mm ; E = 1.50mm
- C = 2. H = 6.00mm ; D = 2.54mm ; E = 1.50mm
- C = 3. H = 3.05mm ; D = 1.70mm ; E = 0.85mm