

# FLAT CABLE IDC SOCKET CONNECTOR



## 1331 SERIES. 2.54 mm. (0.100") pitch.

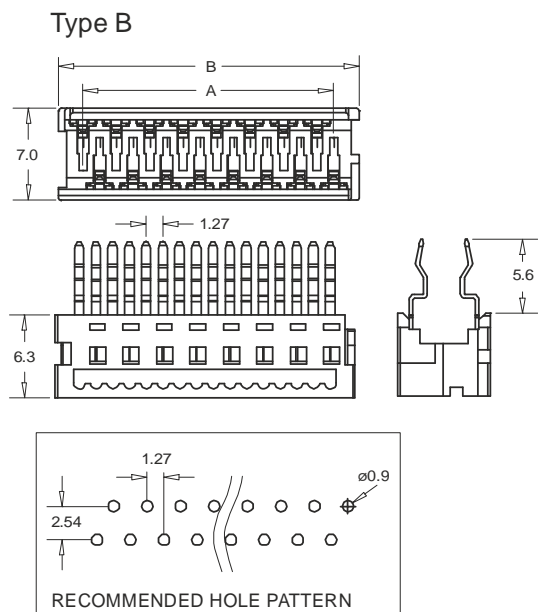
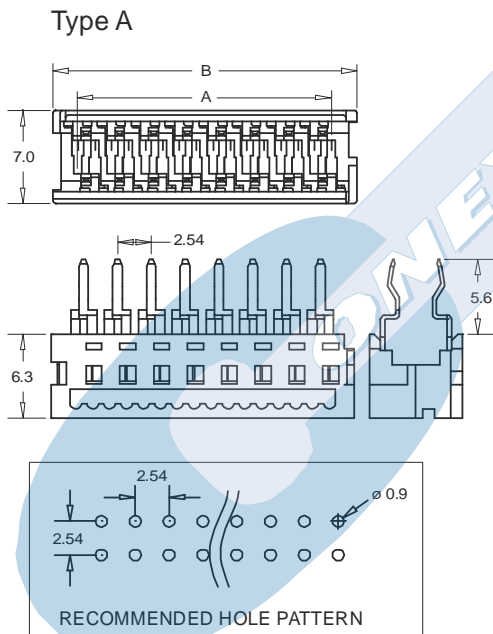
### General Features

- Available in 4 through 26 circuits
- Allows to solder the flat cable to the PCB
- Wires range : 28 AWG O.D max. 0.85 mm
- Accept cable 1.27 mm pitch 9127 Series

### Materials

- Insulator: GF polyester UL 94V-0
- Terminal: Phosphor bronze
- Operating temperature. -40°C to +105°C
- RoHS compliant

### Dimension Information

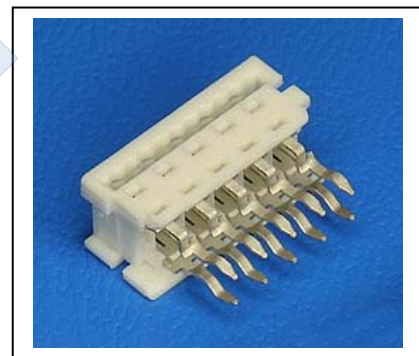


### Electrical Features

- Voltage rating: < 250V
- Current rating: < 1.20 A
- Contact resistance: < 15 mΩ
- Dielectric withstanding Voltage: 500 V AC/minute
- Insulation resistance: >1000 MΩ

### Mechanical Features

- Cable retention force: > 1.00 Kgf per contact
- Durability: 25 Cycles



### Ordering Information:

**1331 - T- XX- S**  
 1            2            3            4

1. Connector Series

2. (T) Contact Plating

- T = 2. Tin plated

3. (XX) Number of circuits

- Available in 4 through 26 circuits

4. (S) Connector Type

- S = 1. Type A
- S = 2. Type B

Dimensions Type A: (In mm.)

$$A = 2.54 \left( \frac{XX}{2} - 1 \right) \quad B = 2.54 \left( \frac{XX}{2} \right) + 0.80$$

(XX) = Number of circuits

Dimensions Type B: (In mm.)

$$A = 1.27 \times (XX^* - 1) \\ B = 1.27 \times (XX^*)$$