

DUAL ROW RIGHT ANGLE SMT SOCKET



1314 SERIES. 1.27 x 1.27 mm (0.050 x 0.050") pitch.

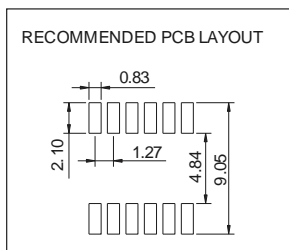
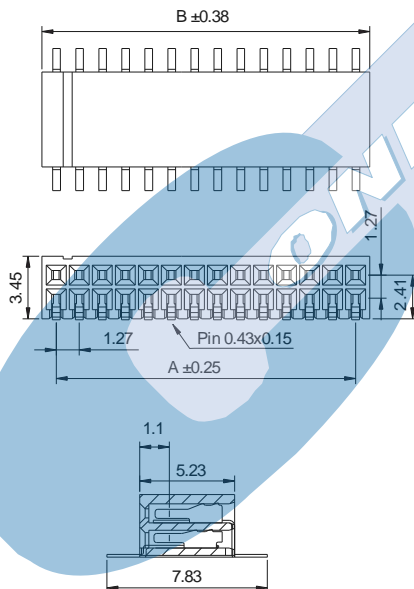
General Features

- Available in 4 through 80 circuits
- Mates with pin headers 1.27 mm pitch 1360, 1362, 1365, 1366, 1368, 1369 and 1375 series
- Suggested Mating Pin length: 2.0 to 5.0 mm.
- Accept 0,40 mm. square pin
- Dual beam contact with different plating

Materials

- Insulator: Polyester LCP UL 94 V-0
- Contact: Phosphor bronze
- Operating temperature: -40°C to +105°C
- RoHS compliant

Dimension Information

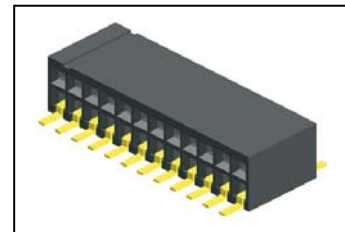


Electrical Features

- Voltage rating: < 100V
- Current rating: < 1 A
- Contact resistance: < 20 mΩ
- Dielectric withstanding voltage: 300 V AC/minute
- Insulation resistance: >1000 MΩ
- Capacitance: < 2 pF at 1 KHz

Mechanical Features

- Insertion force receptacle/plug: < 0,20 Kgf/pin
- Unmating force receptacle/plug: > 0,015 Kgf/pin
- Contact retention force to housing: > 0,15 Kgf/pin
- Durability: 50 cycles



Ordering Information:

1314 - T- XX- 1 E
 1 2 3 4

1. Connector Series

2. (T) Contact Plating

- T = 2. Tin plated
- T = 3. Gold flash over nickel
Recommended Finish

- T = 5. 15μ" gold over nickel
- T = 6. 30μ" gold over nickel

3. (XX) Number of circuits

- Available in 04 through 80 circuits

4. (E) Connector Packaging

- E = 1. Tube + Pad
- E = 2. Reel + Pad

DIMENSIONS:

$$A = 1.27 \left(\frac{XX}{2} - 1 \right) \quad B = 1.27 \left(\frac{XX}{2} \right) + 0.35$$

XX = Number of circuits