

# DUAL ROW VERTICAL SMT SOCKET



## 1311 SERIES. 1.27 x 1.27 mm (0.050 x 0.050") pitch. Upper / Bottom Entry.

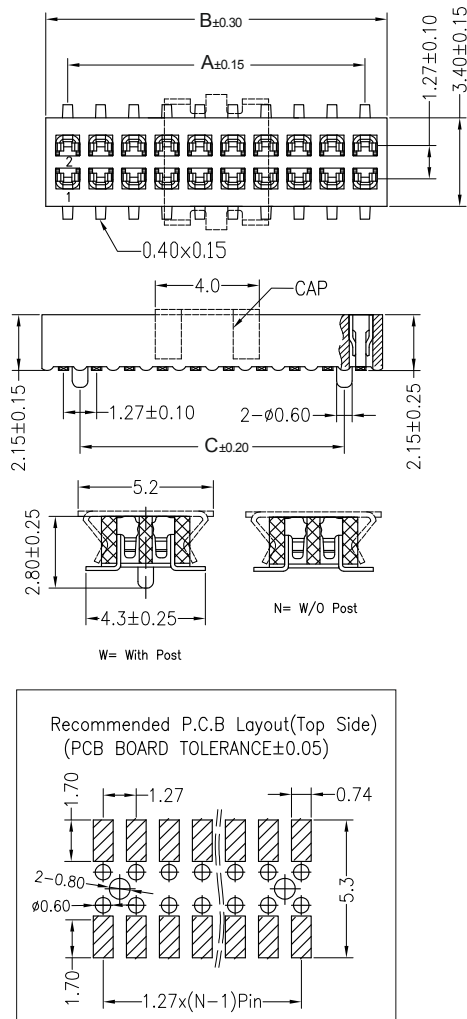
### General Features

- Available in 04 through 100 circuits
- Mates with pin headers 1.27 mm. pitch
- Accept 0,40 mm. square pin. Low profile 2.15 mm. height
- Dual beam contact with different plating
- With/Without fixing post for alignment of connector pins
- Max. processing temperature: 230°C for 30-60 seconds  
260°C for 10 seconds

### Materials

- Insulator: Polyester LCP UL 94 V-0
- Contact: Phosphor bronze
- Operating temperature: -40°C to +105°C
- RoHS compliant

### Dimension Information



### DIMENSIONS:

$$A = 1.27 \left( \frac{XX}{2} - 1 \right) \quad B = 1.27 \left( \frac{XX}{2} \right) + 0.40 \quad C = 1.27 \left( \frac{XX}{2} - 2 \right)$$

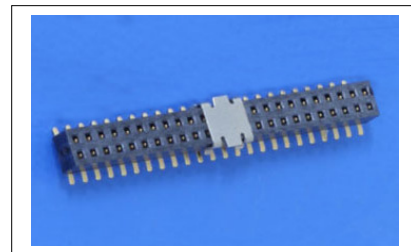
XX = Number of circuits

### Electrical Features

- Voltage rating: < 100V
- Current rating: < 1 A
- Contact resistance: < 20 mΩ
- Dielectric withstanding voltage: 300 V AC/minute
- Insulation resistance: >1000 MΩ
- Capacitance: < 2 pF at 1 KHz

### Mechanical features

- Insertion force receptacle/plug: < 0,20 Kgf/pin
- Unmating force receptacle/plug: > 0,015 Kgf/pin
- Contact retention force to housing: > 0,15 Kgf/pin
- Durability: 50 cycles



### Ordering Information:

**1311 - T- XX- P- E**  
1 2 3 4 5

#### 1. Connector Series

#### 2. (T) Contact Plating

- T = 2. Tin plated
- T = 3. Gold flash over 50μ" nickel  
Recommended Finish
- T = 5. 15μ" gold over 50μ" nickel
- T = 6. 30μ" gold over 50μ" nickel

#### 3. (XX) Number of circuits

- Available in 04 through 100 circuits  
(For 100 circuits replace XX with 00)

#### 4. (P) Fixing Post

- P = 1. Without fixing post
- P = 2. With fixing post

#### 5. (E) Connector Packaging

- E = 1. Tube + Pad
- E = 2. Reel + Pad
- E = 5. Tube + Metal Pad
- E = 6. Reel + Metal Pad