

SINGLE ROW VERTICAL SOCKET



1277 SERIES. 1.27 mm (0.050") pitch.

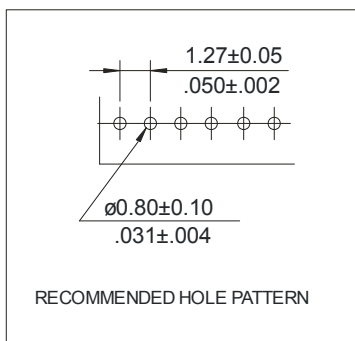
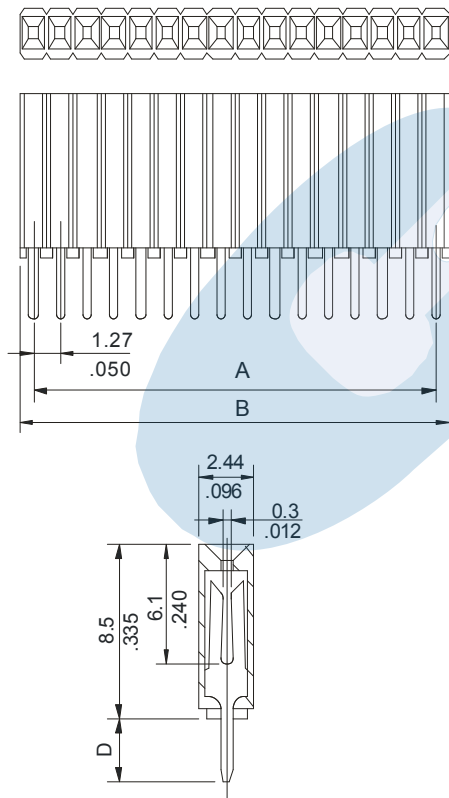
General Features

- Available in 2 through 35 circuits
- Mates with pin headers 1.27 mm pitch
- Accept 0.46 square pin header 1270, 1271, 1272, 1274 and 1320 series
- 8,50 mm height
- U-contact with different plating

Materials

- Insulator: Polyester LCP UL 94 V-0
- Contact: Phosphor bronze
- Operating temperature: -40°C to +105°C
- RoHS compliant

Dimension Information

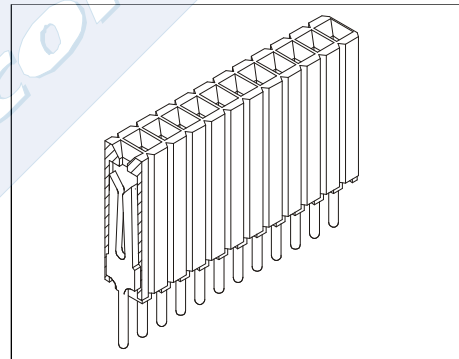


Electrical Features

- Voltage rating: < 100V
- Current rating: < 1 A
- Contact resistance: < 20 mΩ
- Dielectric withstanding voltage: 300 V AC/minute
- Insulation resistance: > 1000 MΩ
- Capacitance: < 2 pF at 1 KHz

Mechanical Features

- Insertion force receptacle/plug: < 0,20 Kgf/pin
- Unmating force receptacle/plug: > 0,015 Kgf/pin
- Contact retention force to housing: > 0,15 Kgf/pin
- Durability: 50 cycles



Ordering Information:

1277 - T- XX- C
 1 2 3 4

1. Connector Series

2. (T) Contact Plating

- T = 2. Tin plated
- T = 3. Gold flash over nickel
Recommended Finish
- T = 5. 15μ" gold over nickel
- T = 6. 30μ" gold over nickel

3. (XX) Circuit Size

- Available in 2 through 50 circuits

4. (C) Pin dimensions

- C = 1. Dim. D = 2.70 mm.
- C = 2. Dim. D = 3.00mm

Dimensions: (In mm.)

A = 1.27 x (XX*-1)

B = 1.27 x (XX)

* XX (Number of circuits)