

DUAL ROW CRIMP CONNECTOR HOUSING



1235 SERIES. 1.00 mm. (0.039") Pitch.

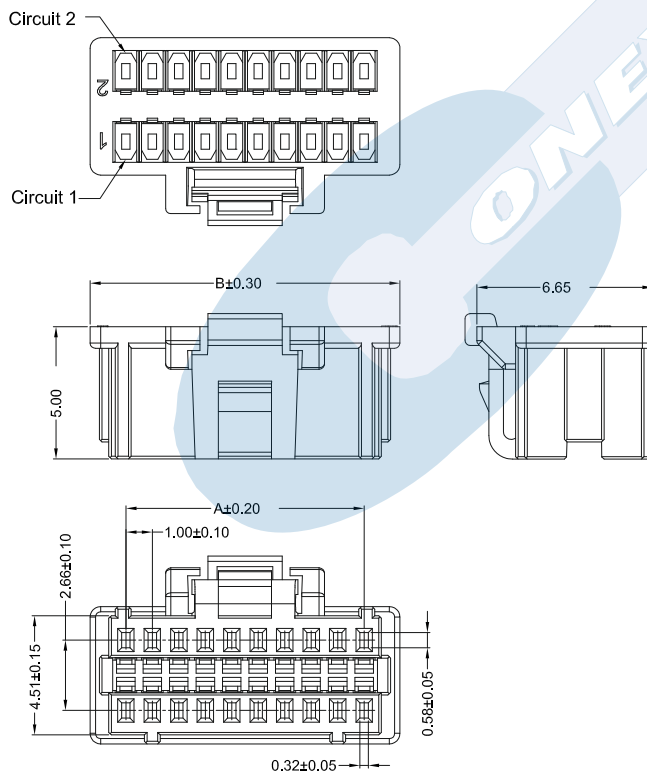
General Features

- Available in 20, 30, 32, 40 and 50 circuits
- Mates with 1,00 mm pitch 123 a d 123 headers
- Compact, low profile design. Positive lock
- Use crimp terminal 1233
- Protusions design for easy pull out

Materials

- Insulator: Nylon 6/6 94 V-0
- Operating temperature. -25°C to +85°C
- RoHS compliant

Dimensional Information

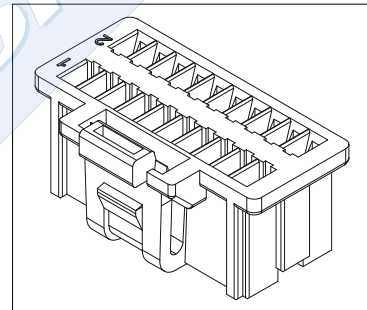


Electrical Features

- Voltage rating: < 50 V
- Current rating: < 1 A
- Contact resistance: < 20 mΩ
- Dielectric withstanding voltage: 250 V AC/minute
- Insulation resistance: >100 MΩ

Mechanical Features

- Contact retention force to the housing: > 0.70 Kg f
- Durability: 25 cycles



Ordering Information:

1235 - 2- XX- 1
1 2

1. Connector Series

3. (XX) Number of circuits

- Available in 20 through 50 circuits

Dimensions:

A = 1.00 x (XX-1)
B = 1.00 x (XX)+1.70
C = 1.00 x (XX)+0.40

(XX) = Number of circuits