

SINGLE ROW SIDE ENTRY SMT HEADER



1218 SERIES. 1.25 (0.049") mm. pitch.

General Features

- Available in 2 through 15, 20, 25 and 30 circuits
- Mates with 1.25 mm. crimp housing 1215 series
- Friction lock
- Soldering tabs to fix to PCB
- Very low profile

Materials

- Insulator: High temperature plastic UL 94 V-0
- Contact: Cooper alloy
- Operating temperature: -25°C to +85°C
- RoHS Compliant

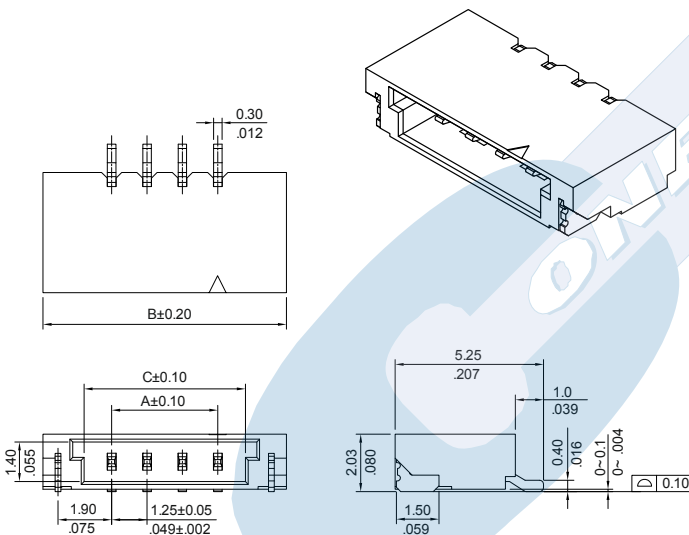
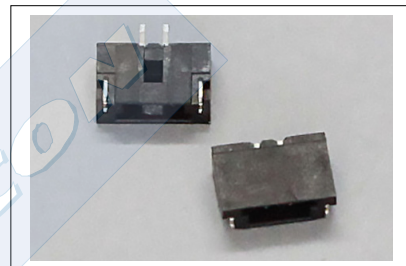
Dimension Information

Electrical Features

- Voltage rating: < 100V
- Current rating: < 1 A
- Contact resistance: < 20 mΩ
- Dielectric Withstanding Voltage: 250 V AC/minute
- Insulation Resistance: >100 MΩ

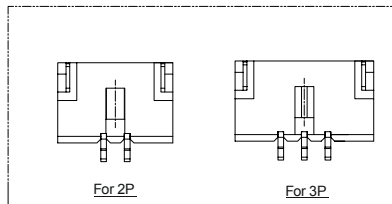
Mechanical features

- Pin retention force to insulator: < 0,25 Kgf
- Durability: 25 cycles



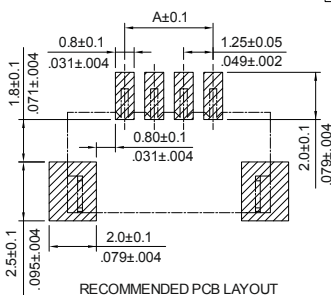
DIM. A = 1.25 x NO. OF SPACES
 DIM. B = DIM. A + 4.85
 DIM. C = DIM. A + 1.95
 DIM. D = DIM. A - 1.25
 * AVAILABLE IN 2 THROUGH 30

For 4P-30P



For 2P

For 3P



RECOMMENDED PCB LAYOUT

1218 - T- XX- 1- E
 1 2 3 4

1. Connector Serie

2. (T) Contacts Plating

- T = 2. Tin plated.
- T = 3. Gold flash over nickel

3. (XX) Number of circuits

- Available in 2 through 15 circuits

4. (E) Packing Options

- E = 1. Pad + Tube
- E = 2. Pad + Reel

Dimensions: (In mm.)

A = 1.25 x (XX-1)

B = 1.25 x (XX)+0.65

C = 1.25 x (XX)+4.85

(XX) = Number of circuits