

SINGLE ROW SIDE ENTRY SMT HEADER



1208 SERIES. 1.25 (0.049") mm pitch.

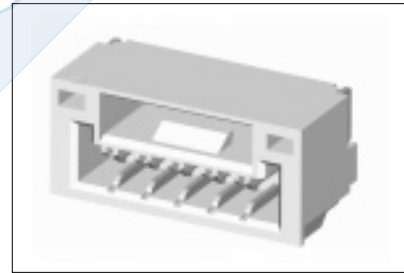
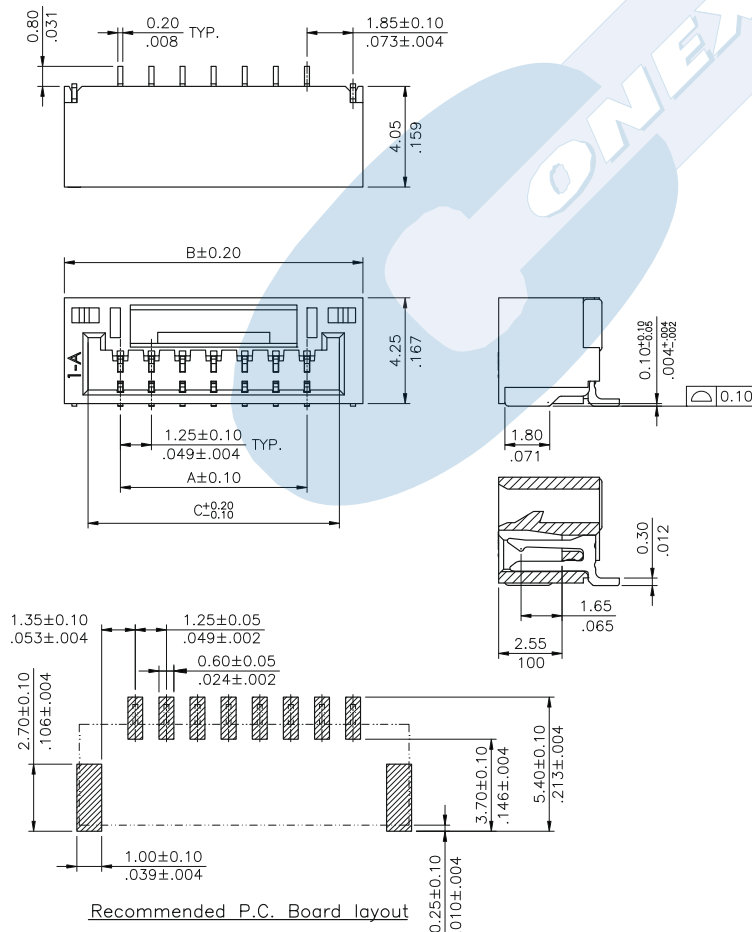
General Features

- Available in 2 through 16, 18 and 20 circuits
- Mates with 1.25 mm crimp housing 1205 serie
- Tin plated pin
- Polarization and low profile
- Soldering SMT tabs to fix to PCB

Materials

- Insulator: High temperature plastic UL 94V-0
- Contact: Phosphor bronze
- Solder tabs: 0,20 mm brass finned
- Operating temperature: -25°C to +85°C
- RoHS compliant

Dimension Information



1208 - T- XX- 1- E

1 2 3 4

1. Connector Serie

2. (T) Contacts Plating

- T = 2. Tin plated.
RECOMMENDED FINISH

3. (XX) Number of circuits

- Available in 2 through 15 circuits

4. (E) Packing Options

- E = 1. Pad + Tube
- E = 2. Pad + Reel

Dimensions: (In mm.)

A = 1.25 x (XX-1)

B = 1.25 x (XX)+3.25

C = 1.25 x (XX)+1.35

(XX) = Number of circuits