

# SINGLE ROW SIDE ENTRY SMT HEADER



## 1159 SERIES. 1.25 (0.049") mm pitch.

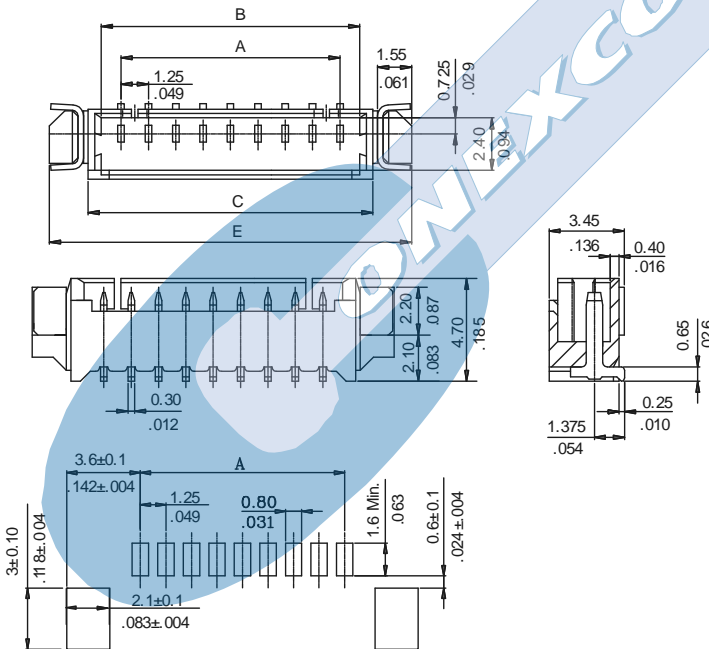
### General Features

- Available in 2 through 15 circuits
- Mates with 1.25 mm crimp housing 1154 serie
- Tin plated pin
- Locking slots provide secure mating
- Polarization and low profile

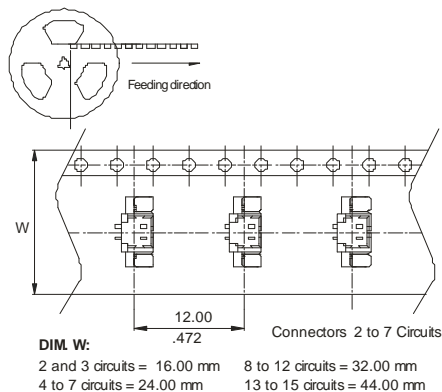
### Materials

- Insulator: Polyester 66 UL 94 V-0
- Contact: Tin plated brass
- Operating temperature: -25°C to +85°C
- RoHS Compliant

### Dimension Information



RECOMMENDED PCB LAYOUT



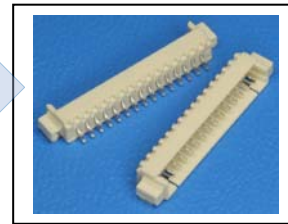
**DIM. W:**  
 2 and 3 circuits = 16.00 mm    8 to 12 circuits = 32.00 mm  
 4 to 7 circuits = 24.00 mm    13 to 15 circuits = 44.00 mm

### Electrical Features

- Voltage rating: < 125V
- Current rating: < 1 A
- Contact resistance: < 20 mΩ
- Dielectric Withstanding Voltage: 250 V AC/minute
- Insulation Resistance: >100 MΩ

### Mechanical features

- Pin retention force to insulator: > 0.80 Kg f
- Durability: 25 cycles



**1159 - T- XX- 1**  
 1            2            3            4

### 1. Connector Serie

### 2. (T) Contacts Plating

- T = 2. Tin plated.  
**RECOMMENDED FINISH**

### 3. (XX) Number of circuits

- Available in 2 through 15 circuits

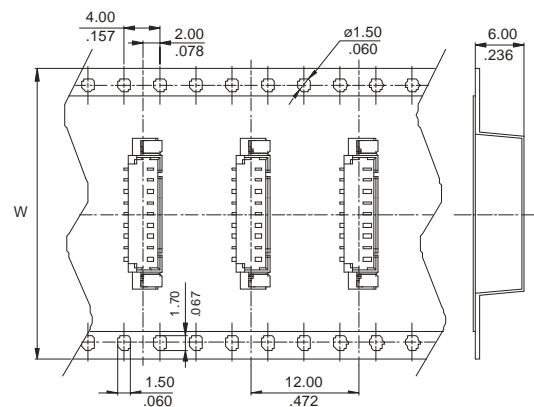
### 4. (E) Packing Options

- E = 1. Pad + Tube
- E = 2. Pad + Reel

Dimensions: (In mm.)

A = 1.25 x (XX-1)  
 B = 1.25 x (XX)+1.85  
 C = 1.25 x (XX)+1.90  
 D = 1.25 x (XX)+5.15

(XX) = Number of circuits



Connectors 8 to 15 Circuits