

CRIMP TERMINAL



1083 SERIES. 10.00/8.00 (0.394/0.315")mm. Pitch.

General Features

- Accommodates wire range AWG 18 through 24
- Use in crimp housing 10.00/8.00 mm pitch 1080 series
- Dual beam contact with tin plated locking lance
- Maximum insulation diameter 2.50 mm (0.098")

Materials

- Contact: Brass tin plated
- Operating temperature -40°C to +85°C

Electrical Features

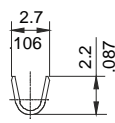
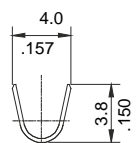
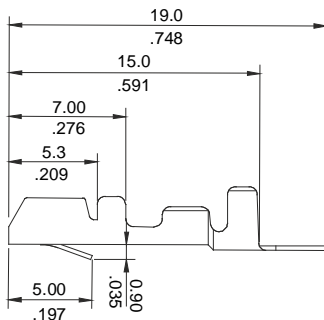
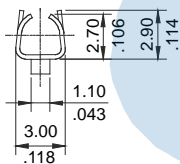
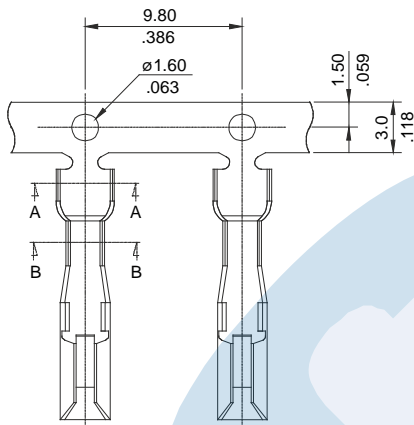
- Current rating: < 5 A
- Contact resistance: < 20 mΩ

Mechanical Features

- Durability: 25 cycles
- Wire pull-out force:

6.00 Kgf	18 AWG
5.00 Kgf	20 AWG
4.00 Kgf	22 AWG
3.00 Kgf	24 AWG
2.00 Kgf	26 AWG

Dimensional Information



SEC. A-A

SEC. B-B

1083 - T- 00- E
1 2

1. Terminal Serie

2. (T) Contact Plating

- T = 2. Tin plated

2. (E) Packing Options

- E = 0. Chain
- E = 1. Loose Piece